

## FIXING, CUTTING & FRAMING

OUTDECO™ GardenScreen is a versatile DIY/Trade product open to your imagination and interpretation. OUTDECO™ GardenScreen is a timber product, so it can be drilled, screwed, nailed or glued with products intended for timber. Like traditional trellis panels, timber or other building products, we warranty the material integrity of our product, but the installer assumes responsibility for the installation. Information is given here as a guide and resource. If unsure consult professionals.

**MINIMUM REQUIREMENTS FIXING CENTRES 300mm**  
The screen board must be fixed at a minimum of 300mm minimum centres to a support structure or it may warp. If using a nailgun or construction adhesive method, fixing at 150-300mm centres will provide best stability. OUTDECO™ GardenScreen is a decorative screen/cladding and is not a structural product. Therefore it must be supported by a frame or structure.  
**For rating of fixing allow 4kg per panel.**

## tips, options & ideas

### NAILGUN, SCREWS OR ADHESIVE

Some people prefer to make a feature of the fixings (eg match them to your allenhead decking screws). For invisible fixings use construction adhesive, An efficient and common trade method is to use small brads in a nailgun.

### PRE-DRILL WHEN USING SCREWS

If using screws, pre-drill and oversize holes slightly. If using a mechanical driver, drive-in carefully and back-off speed and pressure as head closes on surface. Follow this method to prevent the board bloating around the fixing. The nature of drilling holes in any components is you only have one chance to get it right, so plan-out, measure, mark and check before drilling. Also if you want placed holes, use a scrap block of wood measure 22.5mm in from each edge, square it up to each corner or edge to guide the drill in.

### ADHESIVE

Products like Liquid Nails are used successfully. Outdoor grades are available for some applications. Follow the directions of the adhesive product, and if you're pre-painting the screens, leave the area of adhesion void of paint/coating to allow best adhesion with the primary material.

### FIXING INTO EXISTING STRUCTURES

Where you are fixing multiple panel features to an existing structure, its a good idea to make up a simple fixing frame anyway. When fixing into some existing substrates like brick, concrete or studframe walls, locating and drilling millimetre perfect holes into the structural points available maybe tricky. A frame gives you versatility to choose where to fix on the frame, and the ability to nudge it around to get square and aligned, your fixings aren't dead-on first time. For competent tradesperson, using a full frame, split-batten or other horizontal batten method is suitable

### BENEFITS OF USING A FRAME

- Other reasons for using a simple frame:
- Create almost any size, orientation or form,
  - You can check square and aligned before final fix  
Get a dynamic offset effect that creates a shadow or backlit effect.
  - If you want to adjust it, remove it or add to it at any point it can happen with less work and impact to the adjacent elements
  - A common solution landscapers use is a 35x70mm treated pine frame fixed to the back of the panels, so it is concealed from the front.



**CUT & DRILL**  
with timberwork tools.

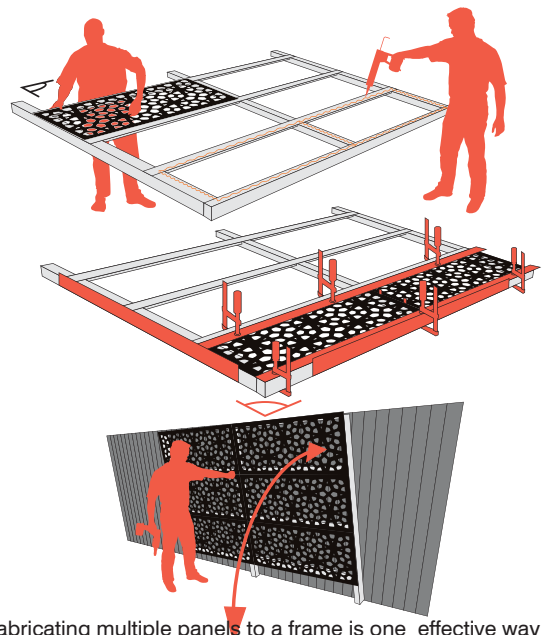
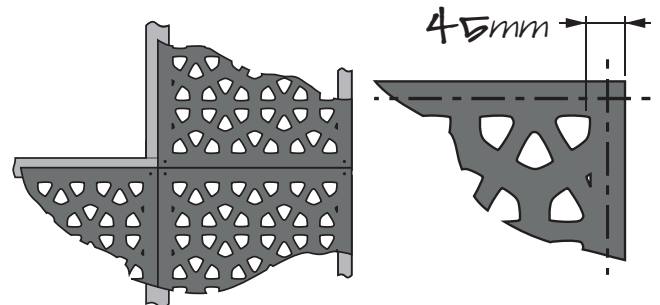


**SAFETY**

Follow all standard carpentry safety precautions. Wear eye and dust masks when cutting, sanding or using fixing mechanisms or powertools. Use safe lifting techniques or mechanism where needed. Each screen weighs 4kg.

### 45mm BORDER

All screens have a 45mm nominal border to give strength, accommodate typical fixing and conceal standard sized supports up to 90mm wide.



Prefabricating multiple panels to a frame is one effective way to install.

# INSTALLATION SUGGESTIONS



## COATING & FINISHING

The vast majority of our customers enjoy the natural colour of the product, but its also easy to coat in a colour of your choice.

*Always follow the coating product directions and consult your local hardware or a professional tradesman if in doubt.*

OUTDECO™ GardenScreen comes with a waterborn UV decking preseal. This can be enhanced with subsequent coats of decking seal or stain (to your liking), or exterior rated paints (check out your local hardware store or consult your tradesman). Garden Screen is a timber product, so most outdoor coatings or finishes designed for timber can be suitable.

If in doubt about your choice of colour, coating product or technique, always test a patch on the back or concealed edge. If applying multiple coatings lightly sand between coats. As with timber products rates of absorption and finish may vary a little and this part of the nature of natural products.

### METHODS FOR APPLICATION

#### SPRAYGUN

If you're competent with a spraygun, then this is the easiest method for coating is to use a spraygun.

#### ROLLER

If you are reapplying a clear or natural coloured timber sealer, or a complimentary paint colour its easier to use a roller across the surface and wipe off any excess drips through the gaps. Its saves painting through the holes, and the front face generally bears the brunt of weathering overtime.

Its usually easier and gives better results to coat your panels before fitting and installing.

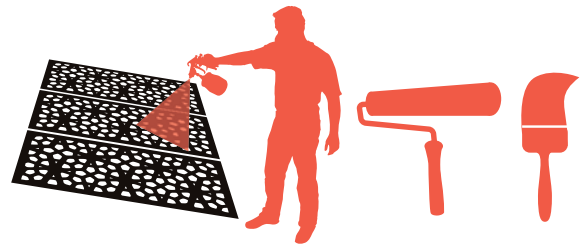
#### PAINT BRUSH

The old paintbrush will do the job, but it will take the longest. Wipe excess drips regularly.

When timber products are coated one side only, the difference in moisture absorption from front to back can cause minor warping. Where applying an extra coating to front, run 1 quick coat over the back to help seal this off.

## CARE & MAINTENANCE

Natural Timber products in the harsh and ever changing Australian climate, always need some maintenance. **OUTDECO™ GardenScreen** is processed with a UV-rated waterborn bathcoat, which gives it a natural oiled timber look. This used extensively for fencing and cladding products, but to get and maintain a premium natural finish we advise applying extra coats of waterborn timber seal to the front face. Many are available at your hardware store (ask for decking coatings), or see Quantum Timber Finishes [www.qtf.com.au](http://www.qtf.com.au). Always follow the coating product guidelines.



### SEE OUR ONLINE GALLERY

to see installations with natural finish and other finishes.

[www.outdeco.com](http://www.outdeco.com)



## WARRANTY

- 10 YEAR WARRANTY against material rot, bloat or delamination under normal outdoor 'run-off' conditions. Screens mounted in vertical plain, not submerged/ constant contact with water, soil or chemicals. Installations are the responsibility of the the installer. Directions herein must be followed.
- Hardwood Exteriorboard product, performs similarly to timber decking timber. It is resistant to normal run-off weathering, but not suitable for applications where submerged or closer than 100mm to ground or constant water
- Natural Tannin may release and grey or yellow over time(similar to jarrah) if left unsealed.
- For alternative colours and finishes, use outdoor paint or deck sealer products, and follow instructions or consult landscaping prof.
- Suggested minimum fixing with outdoor screws (minimum 300 centres apart).
- Alternatively use a suitable construction adhesive for invisible fixing, or use a combination of the screw and adhesive eg. neat decking screw in each corner and adhesive around border.
- For best results measure, drawup, pre-drill position and clamp before/during fixing. Use 2mm spacers to create a consistent joint with expansion joint, to allow for natural movement of timber materials.
- 45mm nominal border to accomodate typical fixing and conceal 90mm post or support.
- This is versatile product and can be cut down and fabricated as per timber, however this is not a freestanding structural product.