

TRIO™ Ultimate Deck Screw

The Ultimate Deck Screw for the Ultimate Finished Look

Ultimate Cam-Out Resistance

Torx® TTAP® drive system offers stick-fit and wobble-free installation, virtually eliminating cam-out

Ultimate Anti-Splitting Point

The ThruPOINT™ bores pilot hole during installation, eliminating the wedging effect and splitting

Ultimate Clean Finished Look

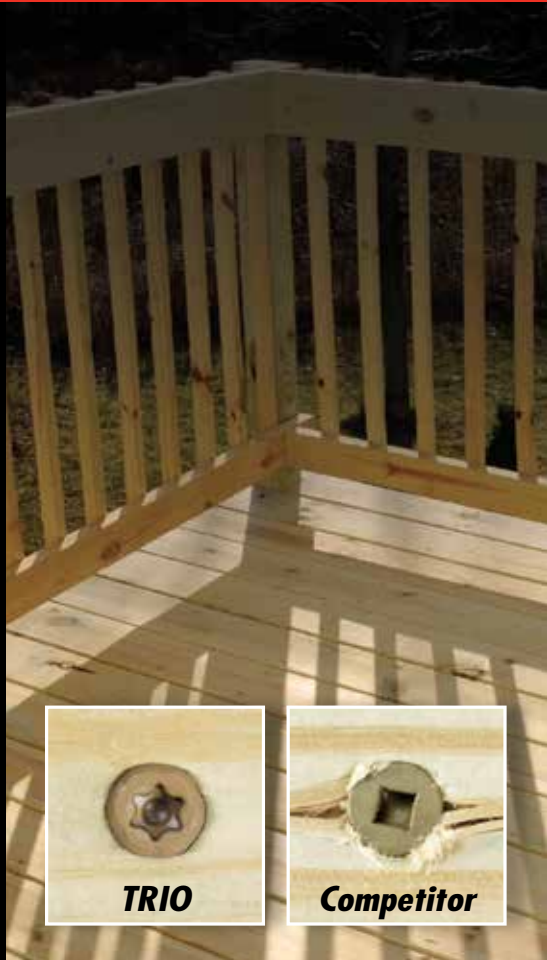
Unique fastener features engineered to deliver a clean finished look, fade resistance and UV stability

Ultimate Corrosion Resistance

ACQ approved. A proprietary plating and coating deliver corrosion resistance 2X better than standard deck screws

TRIO Spotter™ Installation Guide

Much more than a lid, it is a tool engineered to increase fastener installation speed and accuracy



 **FastenMaster.**
TRIO™
Ultimate Deck Screw

INSTALLATION PROCEDURE

1. Use a 0-1800 RPM variable speed corded drill, 18V cordless drill, or impact drill.
2. Install fastener in a continuous drive until head is flush.
3. Install two screws at every joist.

The TRIO Ultimate Deck Screw has been designed for three softwood decking applications:

Deck Surface at 90° to joists

1. Position legs of spotter guide to straddle joist
2. Push guide flat to deck board surface
3. Drive TRIO screws through holes marked 90°

Note: Guide legs act as deck board spacer

Deck Surface at 45° to joists

1. Position notch on spotter guide legs to sides of joist
2. Push guide flat to deck board surface
3. Drive TRIO screws through holes marked 45°

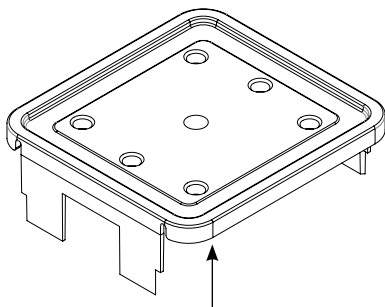
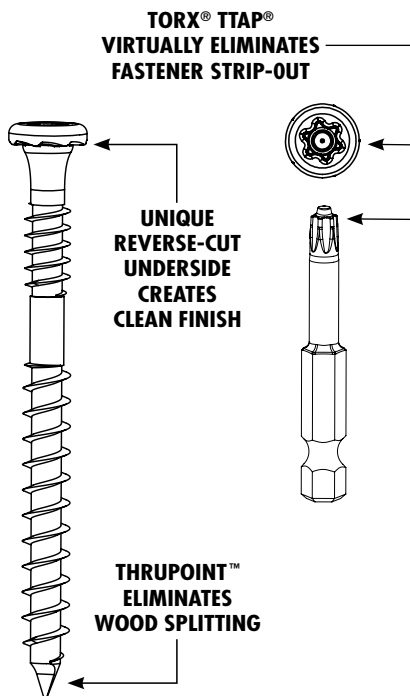
Railing balusters

1. Set first baluster in place at center point of rail
2. Drive TRIO screws into both top and bottom
3. Position spotter guide legs against edge of baluster
4. Position next baluster in place, using guide legs on opposite edge of guide for code-compliant baluster spacing
5. Using edge of lid as guide, draw a pencil line to show center of baluster
6. Install TRIO screws at top and bottom of baluster

Complete installation instructions included in every box.
 Refer to decking manufacturer's installation instructions before installing FastenMaster® TRIO Ultimate Deck Screw.

Installation video available at FastenMaster.com

PRODUCT FEATURES



***SPOTTER LID DELIVERS CONSISTENT GAPPING AND FASTENER PLACEMENT**

** SPOTTER LID IS ONLY INCLUDED WITH THE 350 PC BUCKET*

Item #	Screw Length	Quantity	Coverage*
FMTRD212-75	2 1/2"	75 pc box	20 sq ft
FMTRD212-350	2 1/2"	350 pc bucket	100 sq ft
FMTRD212-1050	2 1/2"	1,050 pc bucket	300 sq ft
FMTRD003-75	3"	75 pc box	20 sq ft
FMTRD003-350	3"	350 pc bucket	100 sq ft
FMTRD003-1050	3"	1,050 pc bucket	300 sq ft

**Coverage based on 16" o.c. joist spacing*

FASTENMASTER, 153 BOWLES ROAD, AGAWAM, MA 01001
800-518-3569 WWW.FASTENMASTER.COM

Torx® is a trademark of Acument Intellectual Properties, LLC. TTAP® is a trademark of Infast AS Limited. FastenMaster®, TRIO™, Spotter™ and ThruPOINT™ are trademarks of OMG Inc. Patent Pending. Copyright © 2013 OMG, Inc. All rights reserved.