

TREX REVEAL® RAILING

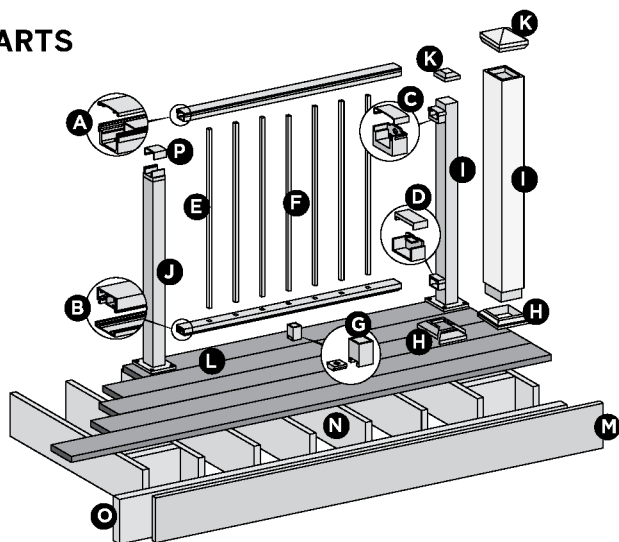
Installation Instructions



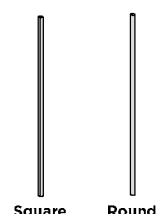
NOTES:

- » REVEAL RAILINGS ARE DESIGNED TO BE ATTACHED WITH POSTS INSTALLED AT CLEAR SPAN OF 6' (1.83 M) OR 8' (2.44 M).
- » IF INSTALLING AT EXACT SPAN LENGTHS OF 6' (1.83 M) OR 8' (2.44 M), AND USING POST TO POST CONFIGURATION, THE BOTTOM RAIL WILL NOT NEED TO BE CUT, BUT THE TOP RAIL WILL NEED TO BE MEASURED (MAKING SURE BALUSTERS LINE UP VERTICALLY) AND CUT.
- » IF INSTALLING AT EXACT SPAN LENGTHS OF 6' (1.83 M) OR 8' (2.44 M), AND USING CROSSOVER POST CONFIGURATION (SPANS FROM ONE CROSSOVER POST TO ANOTHER CROSSOVER POST), BOTH THE BOTTOM RAIL AND TOP RAIL WILL NOT NEED TO BE CUT.
- » IN ADDITION, AT ALL FINAL END POST CONFIGURATIONS, TOP RAIL WILL NEED TO BE MEASURED (MAKING SURE BALUSTERS LINE UP VERTICALLY) AND CUT.
- » FOR STAIR ATTACHMENTS, MAKE SURE THAT 53" (134.6 CM) POSTS ARE USED AT BOTH TOP AND BOTTOM OF STAIRS AND IF NECESSARY CUT TO CORRECT HEIGHTS. REFER TO STAIR INSTRUCTIONS FOR COMPLETE DETAILS ON THIS.
- » SEE INFORMATION WITHIN DETAILED INSTRUCTIONS FOR MORE INFORMATION.

PARTS



BALUSTER OPTIONS



DETERMINING BALUSTERS NEEDED

Baluster Type	Per 6' Section	Per 8' Section	Per 6' Stair Section	Per 8' Stair Section
Square	15	20	13	17
Round	15	20	13	17

NOTE: THIS IS OVERVIEW OF ALL RAILING COMPONENTS FOR REVEAL HORIZONTAL APPLICATIONS - REFER TO DETAILED INSTRUCTIONS FOR SPECIFIC RAILING CONFIGURATIONS.

- A. Reveal top rail and crowned cover
 - 6' (actual length 73.5" [186.7 cm])
 - 8' (actual length 97.5" [247.7 cm])
- B. Reveal bottom rail and flat cover
 - 6' Rail (actual length 71.5" [181.6 cm])
 - 6' Cover (actual length 70.0" [177.8 cm])
 - 8' Rail (actual length 95.5" [242.6 cm])
 - 8' Cover (actual length 94.0" [238.8 cm])
- C. Reveal upper rail bracket and cover
- D. Reveal lower rail bracket and cover
- E. Reveal balusters (square or round)
- F. Reveal center baluster (square or round)
- G. Reveal foot block**
- H. Reveal post skirt or post sleeve skirt*
- I. Reveal post*
 - 36" (actual length 37" [94.0 cm])
 - 42" (actual length 43" [109.2 cm])
 - or Trex 4" x 4" Post Sleeve*
 - 36" (actual length 39" [99.1 cm])
 - 42" (actual length 45" [114.3 cm])
- J. Reveal crossover post*
 - 36" (actual length 34.5" [87.6 cm])
 - 42" (actual length 40.5" [102.9 cm])
- K. Reveal post cap or post sleeve cap*
- L. Trex decking
- M. TrexTrim™ or Trex™ Fascia
- N. Code-approved wood joist 2" x 8" (5.1 cm x 20.3 cm) or larger
- O. Code-approved wood rim joist 2" x 8" (5.1 cm x 20.3 cm) or larger
- P. Crossover bracket cover (supplied with crossover post)

* Item not included in Reveal Railing kits. Both 4" x 4" (10.2 cm x 10.2 cm) and 6" x 6" (15.2 cm x 15.2 cm) post sleeves are designed to fit over 4" x 4" pressure-treated post.

** Required ONLY for All Clear Span Applications over 6' (1.83 m) when smaller fixed baluster is fully centered, or unsupported spans greater than 5' (1.52 m) (example: 8' (2.44 m) span cut into one 5' (1.52 m) span and one 3' (0.91 m) span would require footblock under 5' (1.52 m) span since smaller fixed baluster is no longer centered). Included with 8' (2.44 m) railing kits.

NOTE: If installing 42" (106.7 cm) railing, and using pressure treated posts with Trex post sleeves, ensure that a longer pressure treated post is used along with longer post sleeve, both cut to a height of 46" (116.8 cm) from decking surface.

NOTE: MUST USE TREX DECK MOUNT POST HARDWARE AND METAL PLATE WHEN ATTACHING REVEAL POSTS.

Have Questions?
1-800-BUY-TREX

NOTE: Construction methods are always improving. Please ensure you have the most up-to-date installation instructions by visiting: trex.com

TREX REVEAL® RAILING

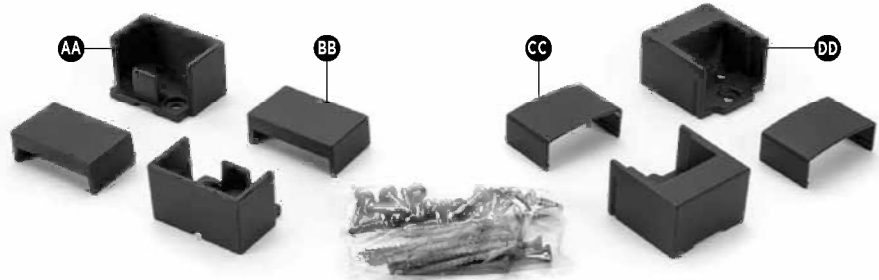
Installation Instructions

BRACKET HARDWARE - HORIZONTAL APPLICATIONS (INCLUDING HORIZONTAL SWIVEL BRACKETS)

TREX REVEAL®

HORIZONTAL RAILING HARDWARE

- AA. Lower rail bracket
- BB. Lower rail bracket cover
- CC. Upper rail bracket cover
- DD. Upper rail bracket



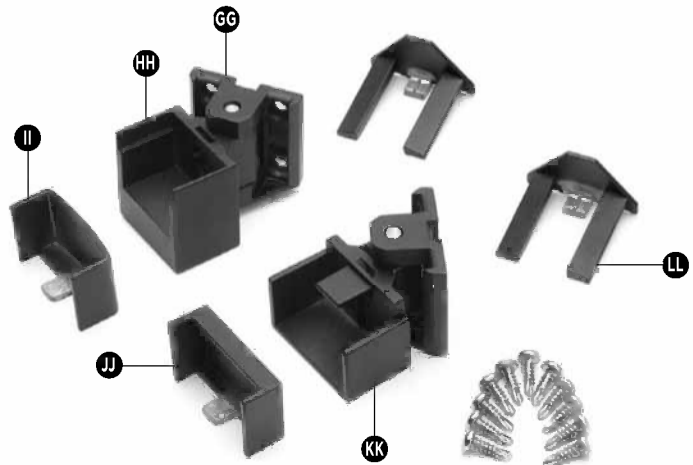
FOOT BLOCK COMPONENTS

- EE. Foot block base
- FF. Foot block support



HORIZONTAL SWIVEL HARDWARE

- GG. Swivel base
- HH. Horizontal swivel bracket top rail
- II. Horizontal swivel bracket top rail cover
- JJ. Horizontal swivel bracket bottom rail cover
- KK. Horizontal swivel bracket bottom rail
- LL. Swivel base cover

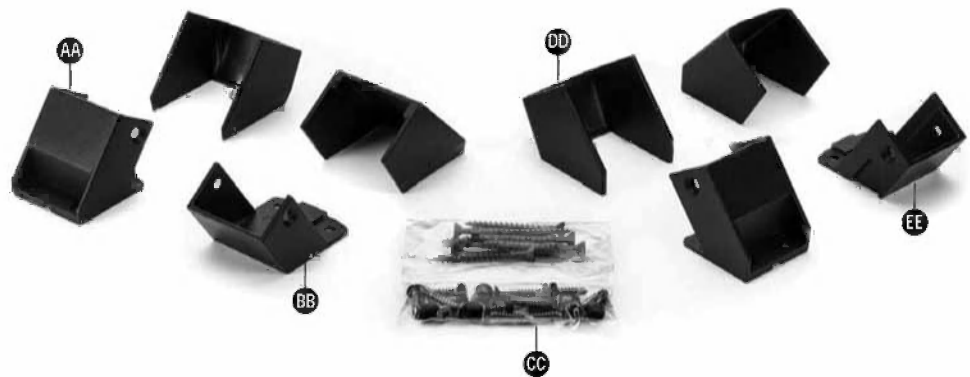


BRACKET HARDWARE – STAIR APPLICATIONS (INCLUDING STAIR SWIVEL BRACKETS, STAIR CROSSOVER BRACKET, AND COMPOUND SWIVEL BRACKETS)

TREX REVEAL®

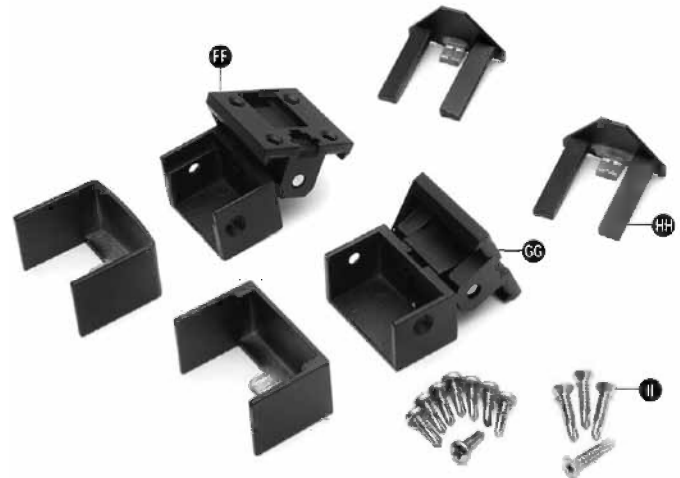
FIXED BRACKET – STAIR HARDWARE

- AA. Bottom Stair Bracket and Cover – Lower Rail
- BB. Top Stair Bracket and Cover – Lower Rail
- CC. Fastener Pack
- DD. Bottom Stair Bracket and Cover – Upper Rail
- EE. Top Stair Bracket and Cover – Upper Rail



SWIVEL BRACKET – STAIR HARDWARE

- FF. Swivel Top Rail Bracket and Cover – Stair
- GG. Swivel Bottom Rail Bracket and Cover – Stair
- HH. Fastener Covers
- II. Fastener Pack



TREX REVEAL® RAILING

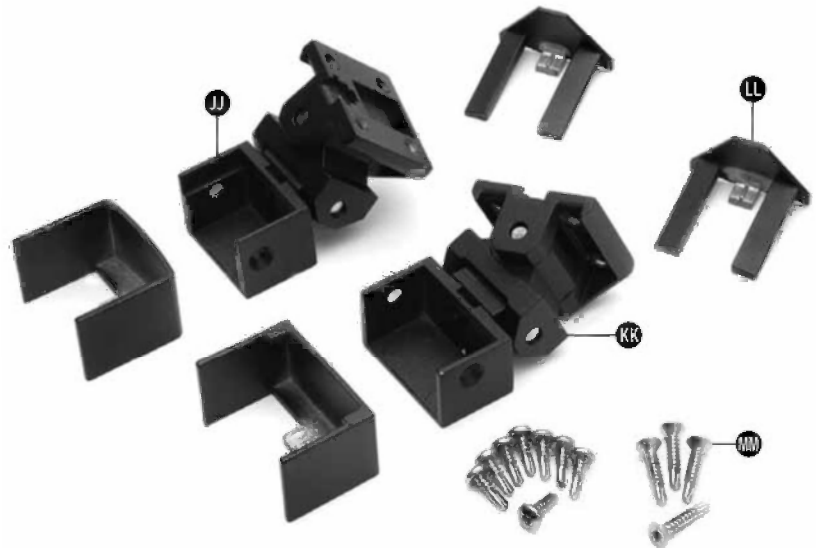
Installation Instructions

BRACKET HARDWARE – STAIR APPLICATIONS (INCLUDING STAIR SWIVEL BRACKETS, STAIR CROSSOVER BRACKET, AND COMPOUND SWIVEL BRACKETS)/CONTINUED

TREX REVEAL®

COMPOUND SWIVEL BRACKET – STAIR HARDWARE

- JJ. Compound Swivel Top Rail Bracket and Cover – Stair
- KK. Compound Swivel Bottom Rail Bracket and Cover – Stair
- LL. Fastener Covers
- MM. Fastener Pack



SWIVEL CROSSOVER BRACKET KIT – STAIR HARDWARE

- NN. Swivel Crossover Bracket – Stair
- OO. Post to Bracket Fasteners (not shown)



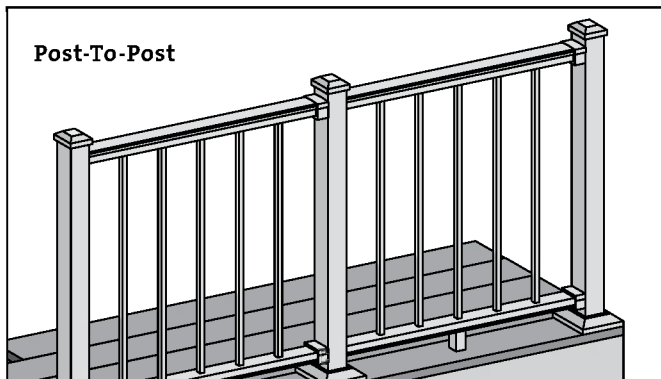
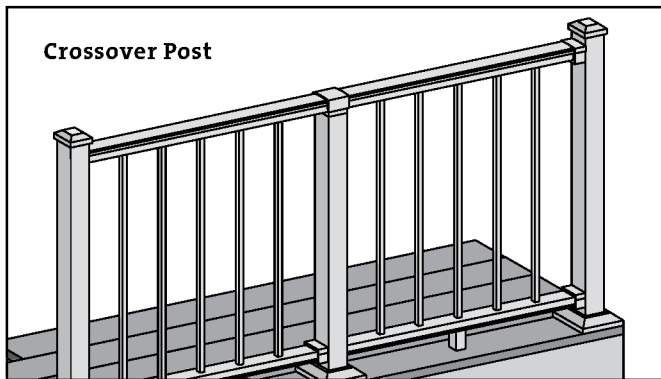
LOCATION AND INSTALLATION OF POSTS

TREX REVEAL®

IMPORTANT NOTES:

- » **EACH POST MUST BE ATTACHED AS DETAILED AS DESCRIBED TO ENSURE A CODE COMPLIANT AND SAFE INSTALLATION.**
- » **ALWAYS REFER TO YOUR LOCAL BUILDING CODE OFFICIAL PRIOR TO INSTALLING ANY RAILING SYSTEM TO ENSURE ALL CODE AND SAFETY REQUIREMENTS ARE MET. TREX® CANNOT BE HELD RESPONSIBLE FOR IMPROPER OR NON-RECOMMENDED INSTALLATIONS.**
- » **WHEN INSTALLING REVEAL POSTS ON ACQ OR CCA SURFACES, USE AN APPROPRIATE ISOLATION BARRIER BETWEEN POST AND SURFACE (CONTACT LOCAL BUILDING CODE OFFICIAL IF REQUIRED).**
- » **FOR INSTALLING STANDARD REVEAL POST AND/OR REVEAL CROSSOVER POSTS, SEE BELOW.**
- » **FOR PRESSURE-TREATED POSTS, POST SLEEVES, AND SKIRTS, SEE DETAILED INSTRUCTIONS PROVIDED WITH REVEAL RAILING KITS.**

RAILING CONFIGURATIONS



NOTE: Reveal railings can be installed using Reveal posts or pressure-treated posts.

- » For installing Standard Reveal post and/or Reveal crossover posts, see Step 1.
- » For Pressure Treated Posts, Post Sleeves, and Skirts, see page 7.

TOOLS AND MATERIALS NEEDED

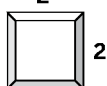
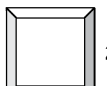
- » Drill and/or screw gun
- » 1/2" (1.27 cm) drill bit for wood
- » Blocking - 2" x 8" (5.1 cm x 20.3 cm) pressure-treated Southern Yellow Pine or equivalent
- » Qty 36 (per post) - 3" pressure-treated compatible wood screws

TOOLS NEEDED—ATTACHMENT OF RAILINGS

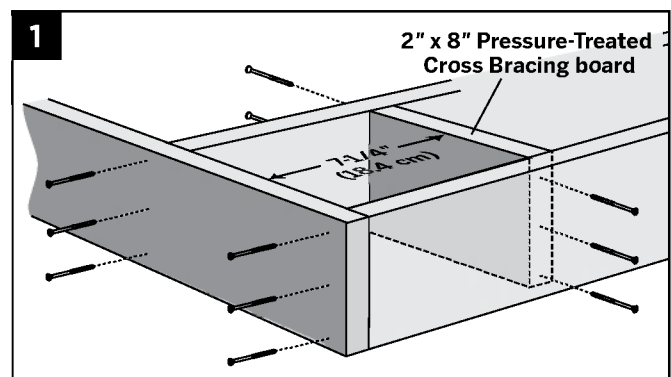
- » Drill and/or screw gun
- » #2 Square head bit
- » 1/8" (.32 cm), 7/64" (0.28 cm) drill bits (for use when predrilling railing to attach bracket)
- » Non-ferrous metal miter saw blade
- » Ratchet/wrench
- » Rubber mallet

NOTE: For Reveal Post installation - refer to detailed tool section.

CODE APPROVED POST APPLICATIONS

POST SIZE	2"	2.5"
	 2" 2x2 Post	 2.5" 2.5x2.5 Post (IRC)
< 30" height decking	Acceptable (Code Approval not Applicable)	Acceptable (Code Approval not Applicable)
IRC Compliant	No	Yes
IBC Compliant	No	No

Installing Standard Reveal Posts and/or Reveal Crossover Posts on Pressure-Treated Wood Framing (Corner Post Installation)



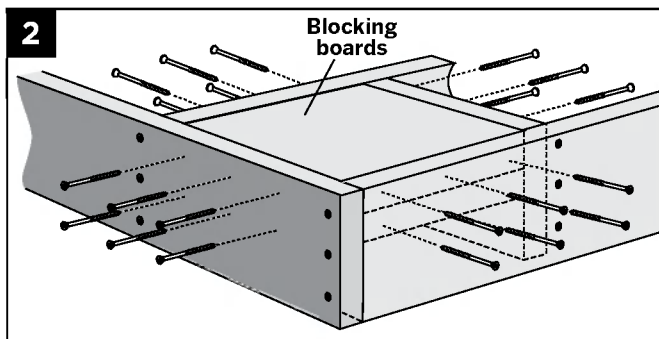
1. Install 2" x 8" (5.1 cm x 20.3 cm) cross bracing frame in between joists at 7 1/4" (18.4 cm). Attach a total of twelve 3" (7.6 cm) pressure-treated compatible screws (not provided) as shown in Step 1.

TREX REVEAL® RAILING

Installation Instructions

LOCATION AND INSTALLATION OF POSTS/CONTINUED

TREX REVEAL®

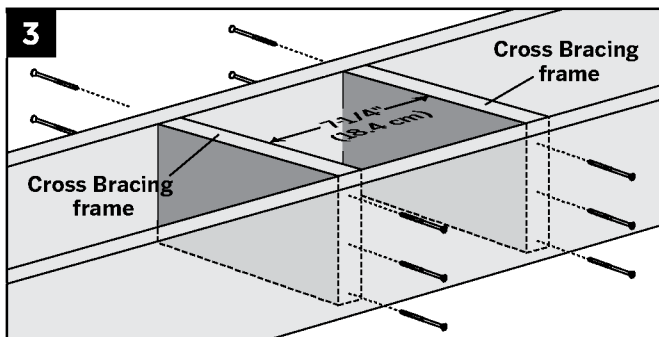


2. Install two 2" x 8" (5.1 cm x 20.3 cm) boards as blocking under post location. Securely attach blocking using a total of 24 3" (7.6 cm) pressure-treated compatible screws (*not provided*) as shown in figure 2.

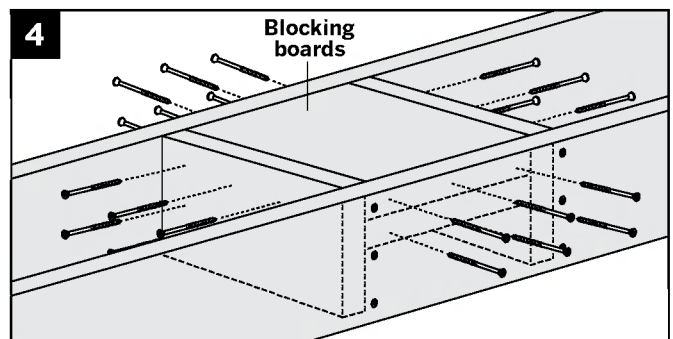
NOTE: TO ENSURE THE BLOCKING IS FULLY SECURE, USE THE AMOUNT OF SCREWS SHOWN ABOVE.

TIP: USE TWO ADDITIONAL SCREWS TO "SANDWICH" BLOCKING BOARDS TOGETHER FOR EASIER ATTACHMENT TO FRAMING.

Line Post Installation



3. Install two 2" x 8" (5.1 cm x 20.3 cm) cross bracing frames in between joists at 7 1/4" (18.4 cm). Attach a total of twelve 3" (7.6 cm) pressure-treated compatible screws (*not provided*) as shown in figure 3.

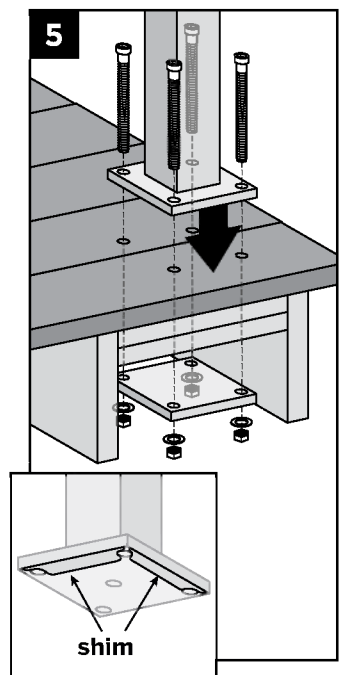


4. Install two 2" x 8" (5.1 cm x 20.3 cm) boards as blocking under post location. Securely attach blocking using a total of 24 3" (7.6 cm) pressure-treated compatible screws (*not provided*) as shown in figure 4.

5. **NOTE:** RIM JOIST REMOVED TO SHOW PROPER ATTACHMENT OF HARDWARE.

NOTE: METAL BACKPLATE IS ONLY REQUIRED FOR 2.5" POST.

Level posts if necessary using stainless steel leveling shims (*provided*). Ensure that post is placed on decking surface so that it clears the rim joist and there is enough clearance on the underside blocking for the back plate to be installed.



Attach posts using four 3/8" x 6" (0.95 cm x 15.2 cm) hex cap bolts, washers, and nuts, along with using aluminum back plate on underside of blocking (back plate only required for 2.5" posts). This back plate **MUST** be installed under the decking to ensure this will meet code compliance. Reference SKU part number ALPOSTHWDECK for required hardware and aluminum plate.

6

Have Questions?
1-800-BUY-TREX

NOTE: Construction methods are always improving. Please ensure you have the most up-to-date installation instructions by visiting: trex.com

TR-REVEAL-0614

LOCATION AND INSTALLATION OF POSTS/CONTINUED

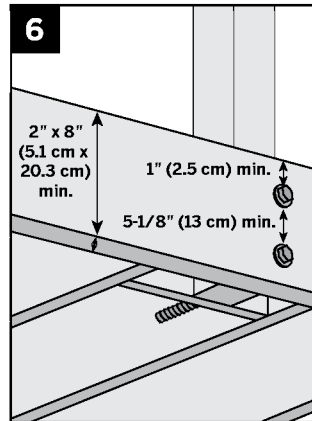
TREX REVEAL®

IMPORTANT NOTES:

- » IF INSTALLING 42" (106.7 CM) RAILING, AND USING PRESSURE-TREATED POSTS WITH TREX POST SLEEVES, ENSURE THAT A LONGER PRESSURE-TREATED POST IS USED ALONG WITH LONGER POST SLEEVE, BOTH CUT TO A HEIGHT OF 46" (116.8 CM) FROM DECKING SURFACE.

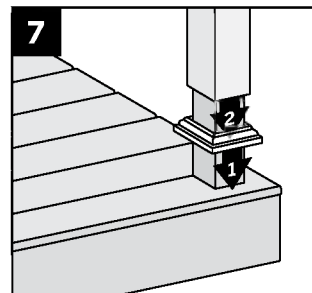
Installing Pressure Treated Posts, Post Sleeves, and Skirts

6. Attach posts using 1/2" (1.3 cm) carriage bolts.
 - » Minimum joist size is 2" x 8" (5.1 cm x 20.3 cm).
 - » Top bolts must be 1" (2.5 cm) from top of joists.
 - » Bottom bolts must be 5-1/8" (13 cm) from top bolts.



NOTE: Blocking can be added for extra strength.

7. Slide post sleeve skirt over post and down to rest on decking surface. Slide post sleeve over post and position inside post sleeve skirt.



NOTE: Shims can be used to plumb post sleeves.

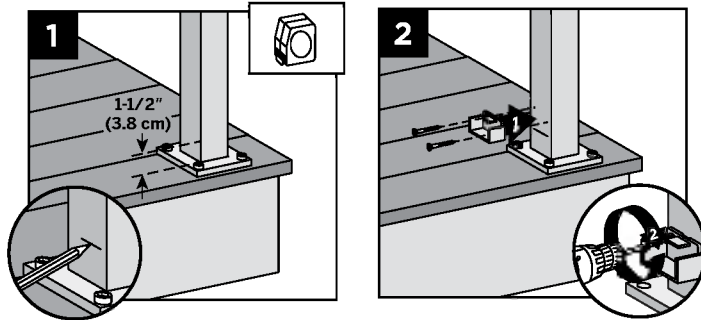
TREX REVEAL® RAILING

Installation Instructions

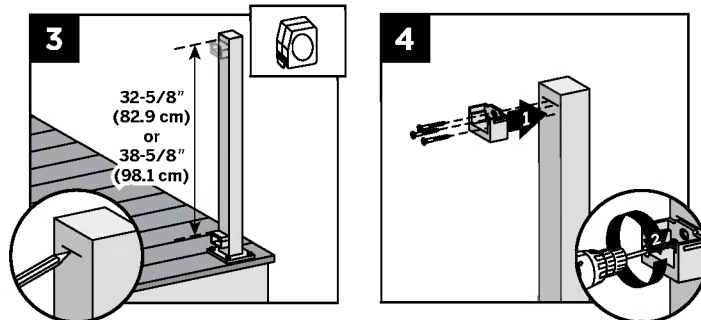
HOW TO INSTALL HORIZONTAL RAILING TREX REVEAL®

Attach Brackets Using Reveal Posts

» **TIP:** Use a clamp to help hold brackets in place while fastening with screws.



1. For both post-to-post and post-to-crossover post configurations, measure 1-1/2" (3.8 cm) up from top of post base plate (or 1-7/8" [4.8 cm] from decking surface). Mark with light line.
2. Center lower bracket on post **above** the marked line and attach using (2) self-tapping screws (*provided*).

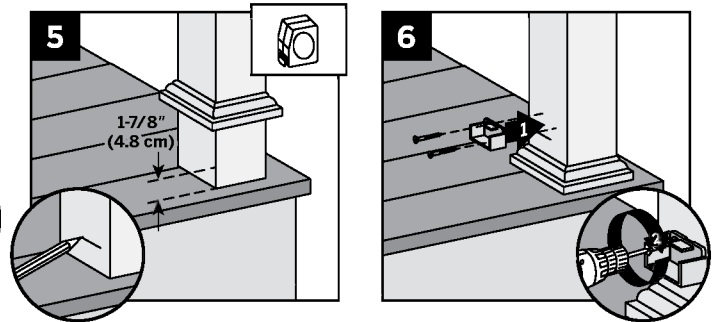


3. Measure up 32-5/8" (82.9 cm) for 36" (91.4 cm) tall railing or 38-5/8" (98.1 cm) for 42" (106.7 cm) tall railing from top of lower rail bracket. Mark with a light line.
4. Center upper bracket on post **below** marked line and attach using (3) self-tapping screws (*provided*).

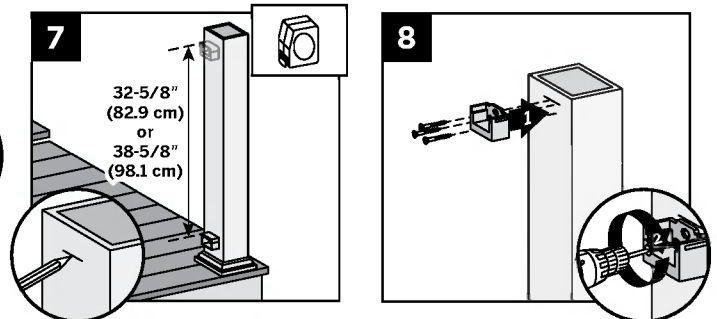
NOTE: Upper bracket is not required on crossover post configuration.

Attach Brackets Using Pressure Treated Posts and Post Sleeves

» **TIP:** Use a clamp to help hold brackets in place while fastening with screws.



5. Measure 1-7/8" (4.8 cm) up from deck surface to bottom of bracket. Slide skirt up to allow for proper measurement, then push skirt back down onto surface of decking **BEFORE ATTACHING BRACKET**. Mark with light line.
6. Center lower bracket on post **above** the marked line and attach using (2) 2" (5.1 cm) wood screws (*provided*).



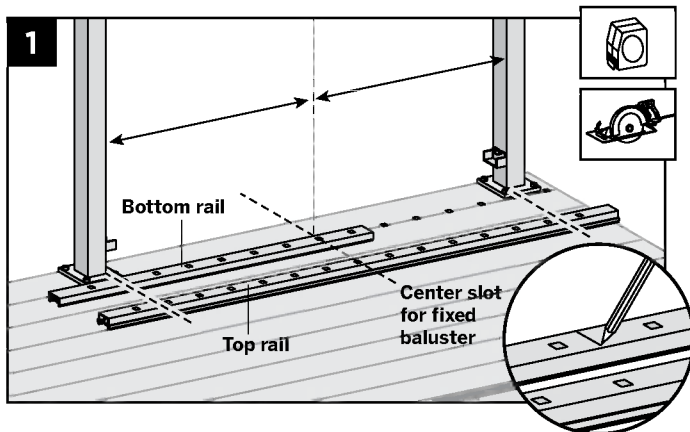
7. Measure up 32-5/8" (82.9 cm) for 36" (91.4 cm) tall railing or 38-5/8" (98.1 cm) for 42" (106.7 cm) tall railing from top of lower rail bracket. Mark with a light line.
8. Center upper bracket on post **below** marked line and attach using (3) 2" (5.1 cm) wood screws (*provided*).

HOW TO INSTALL HORIZONTAL RAILING TREX REVEAL®

NOTES:

- » REVEAL RAILINGS ARE DESIGNED TO BE ATTACHED WITH POSTS INSTALLED AT CLEAR SPAN OF 6' (1.83 M) OR 8' (2.44 M).
- » IF INSTALLING AT EXACT SPAN LENGTHS OF 6' (1.83 M) OR 8' (2.44 M), AND USING POST-TO-POST CONFIGURATION, THE BOTTOM RAIL WILL NOT NEED TO BE CUT, BUT THE TOP RAIL WILL NEED TO BE MEASURED (MAKING SURE BALUSTERS LINE UP VERTICALLY) AND CUT.
- » IF INSTALLING AT EXACT SPAN LENGTHS OF 6' (1.83 M) OR 8' (2.44 M), AND USING CROSSOVER POST CONFIGURATION (SPANS FROM ONE CROSSOVER POST TO ANOTHER CROSSOVER POST), BOTH THE BOTTOM RAIL AND TOP RAIL WILL NOT NEED TO BE CUT.
- » IN ADDITION, AT ALL FINAL END POST CONFIGURATION, TOP RAIL WILL NEED TO BE MEASURED (MAKING SURE BALUSTERS LINE UP VERTICALLY) AND CUT.
- » FOR ODD SPAN LENGTHS, BOTH TOP RAIL AND BOTTOM RAIL WILL NEED TO BE MEASURED (MAKING SURE BALUSTERS LINE UP VERTICALLY) AND CUT. ENSURE THAT BALUSTERS ARE SPACED WITH AN EQUAL DISTANCE ON EACH SIDE OF THE POST.
- » WHEN RAILINGS ARE CUT TO ODD SPANS, ALL SPANS GREATER THAN 5' (1.52 M) (EXAMPLE: 8' (2.44 M) SPAN CUT INTO ONE 5' (1.52 M) SPAN AND ONE 3' (0.91 M) SPAN) WOULD REQUIRE FOOTBLOCK UNDER 5' (1.52 M) SPAN SINCE SMALLER FIXED BALUSTER IS NO LONGER CENTERED).

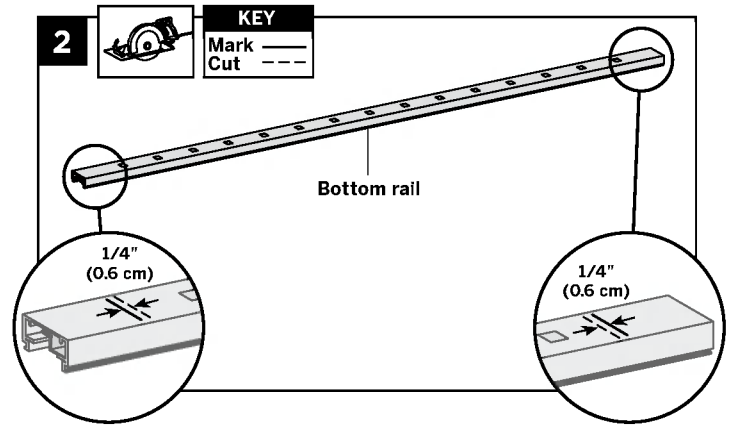
How to Measure and Cut Bottom and Top Railings (WHEN REQUIRED)



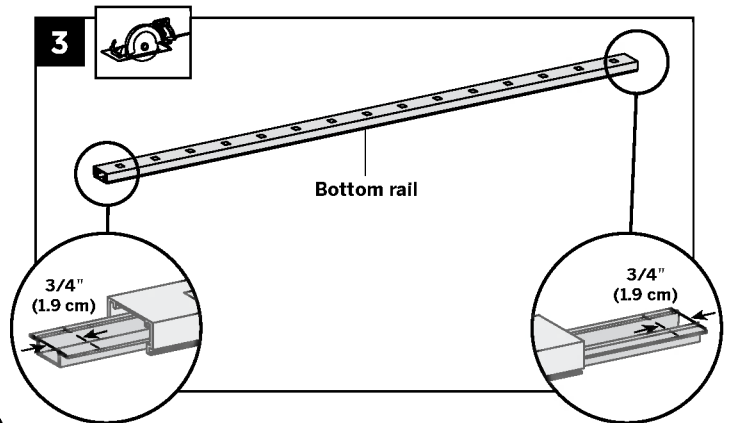
1. Position bottom and top rails between posts and align with bottom bracket. Align the center baluster slot in both rails with the middle of the span between posts.* This will allow an equal number of baluster holes on each side of center slot. Mark bottom rail and top rail at each end (ensure both rails are centered between posts).

* In some cases due to odd railing spans, the center baluster may need to be offset in one direction to ensure there is enough room at both post locations for balusters to be placed, review this BEFORE cutting any railings to ensure all balusters are equally spaced.

Cutting Bottom Rail and Bottom Rail Cover

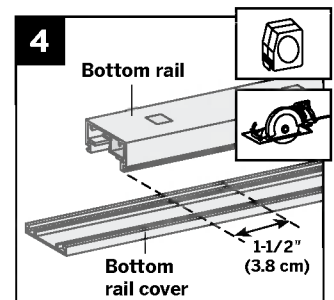


2. Cut each end of bottom rail 1/4" (0.6 cm) shorter than mark on each end to allow for fit into bottom rail brackets.



3. Slide rail insert out and cut 3/4" (1.9 cm) FROM EACH SIDE of insert, then slide back inside rail and center.

4. Mark and cut bottom rail cover 1-1/2" (3.8 cm) shorter than bottom rail.



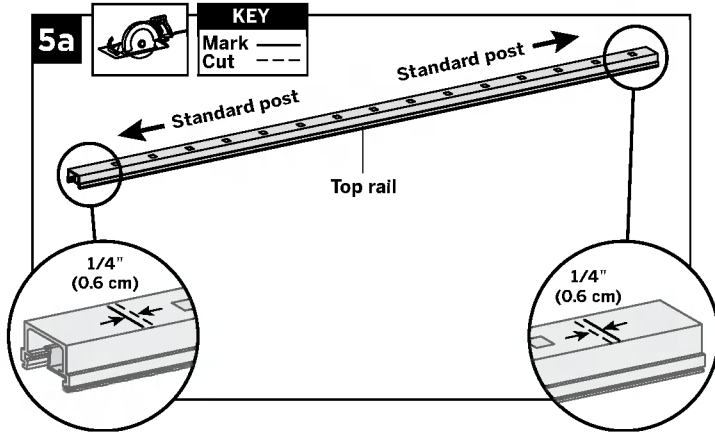
TREX REVEAL® RAILING

Installation Instructions

HOW TO INSTALL HORIZONTAL RAILING/CONTINUED

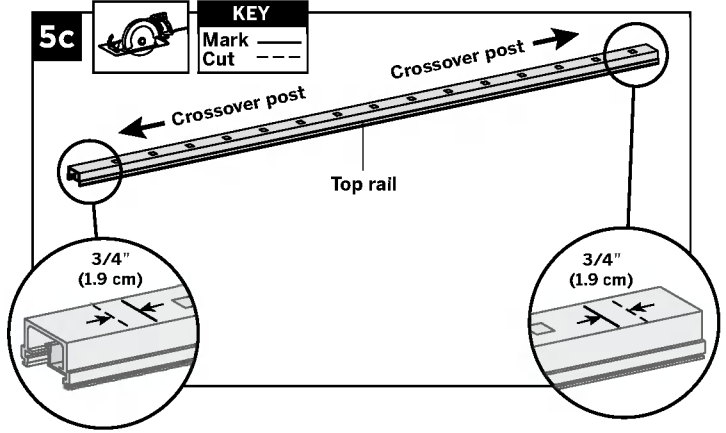
TREX REVEAL®

Cutting Top Rail - Option 1: For Post to Post Configuration



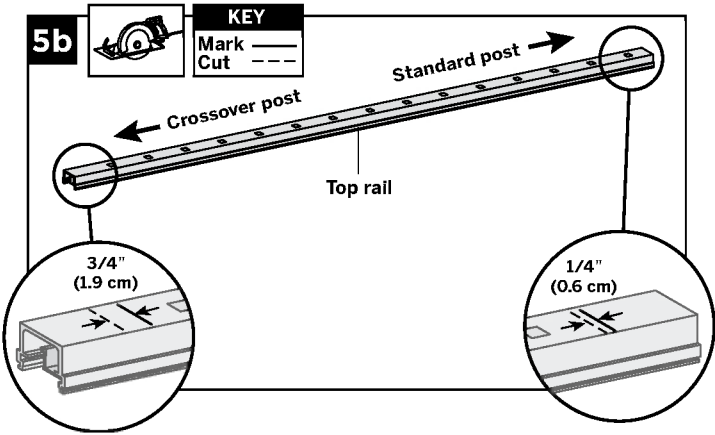
5a. Cut each end of top rail 1/4" (0.6 cm) shorter than mark to allow for fit into top rail brackets.

Cutting Top Rail - Option 3: For Crossover Post to Crossover Post Configuration



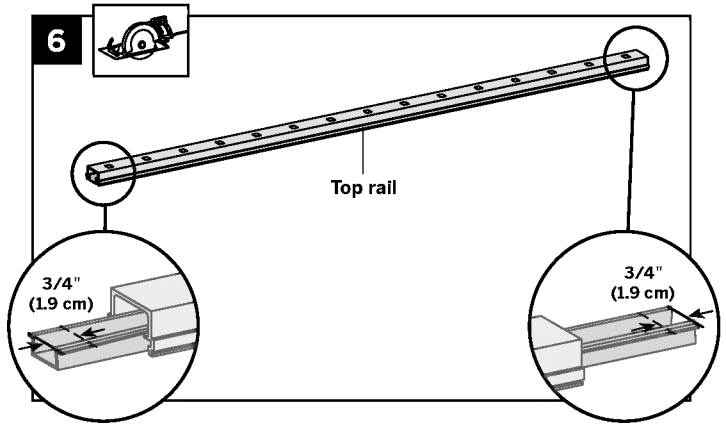
5c. Cut each end of top rail 3/4" (1.9 cm) **LONGER** than the mark to allow for fit into the crossover post bracket on each side.

Cutting Top Rail - Option 2: For Post to Crossover Post Configuration



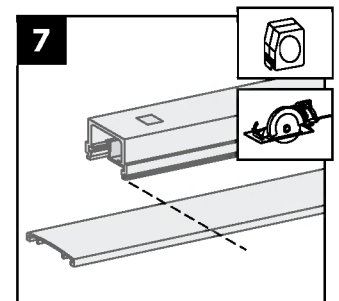
5b. Top rail must be cut differently on each side of the rail. Railing side that attaches to standard post should be cut 1/4" (0.6 cm) shorter than the mark to allow for fit into top rail bracket. Railing side that attaches to the crossover post should be cut 3/4" (1.9 cm) **LONGER** than the mark to allow for fit into the crossover post bracket.

Cutting Top Rail Insert and Cover



6. Slide rail insert out and cut 3/4" (1.9 cm) **FROM EACH SIDE** of insert, then slide back inside rail and center.

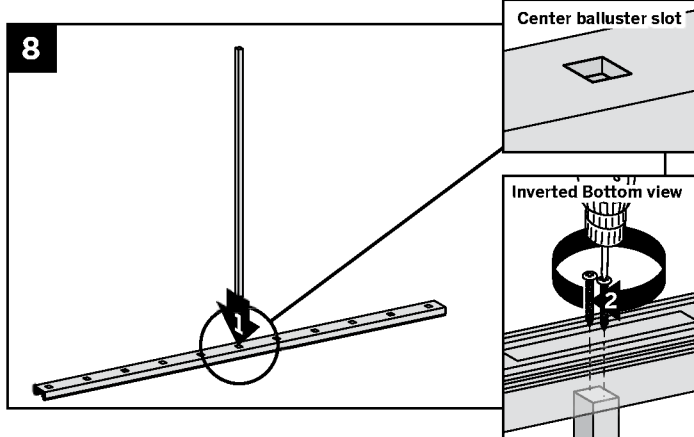
7. Mark and cut top rail cover same length as top rail for all top rail configurations.



HOW TO INSTALL HORIZONTAL RAILING/CONTINUED

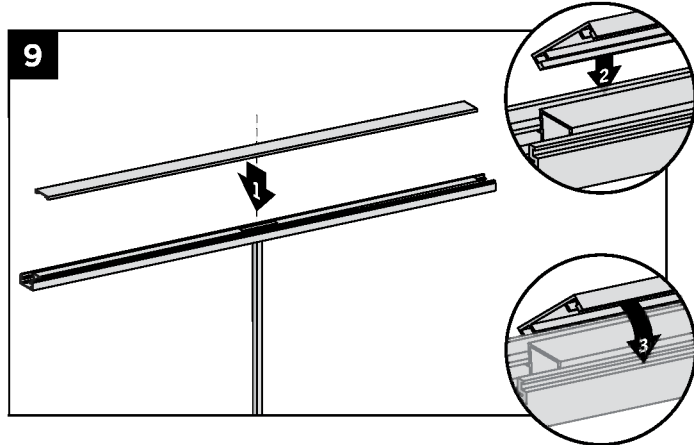
TREX REVEAL®

Attaching Center Baluster to Bottom Rail

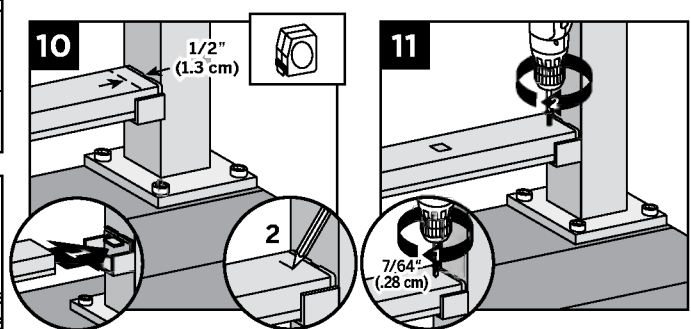


8. Attach shorter, center baluster in center slot in bottom rail using (2) #8 x 1-1/4" (3.2 cm) screws (provided).

Attaching Bottom Rail Cover and Bottom Rail to Brackets



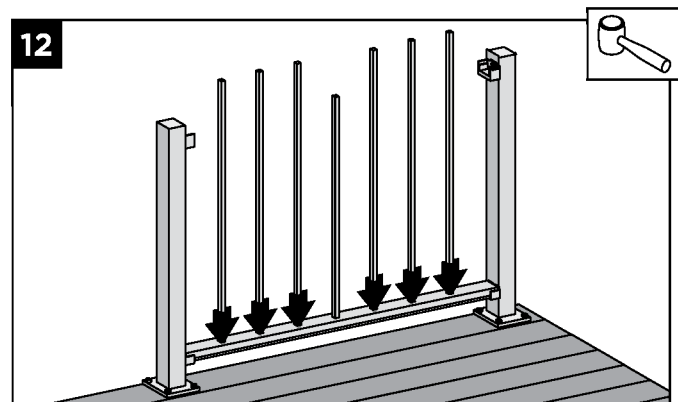
9. Attach "flat" bottom rail cover to bottom rail by first centering cover on bottom rail (this will allow gap on each end of bottom rail for placement into brackets). Align cover on one side of bottom rail in slot on side of rail. Then starting from one end of rail snap cover onto opposing slot working down the length of rail. In some cases, a **rubber mallet** may facilitate the fastening using **GENTLE** tapping.



10. Set bottom rail into bottom brackets. Tabs on brackets will be inside of bottom rail (not shown when railing is attached). To ensure fit into tab, measure and mark 1/2" (1.3 cm) out from side of post.
11. Attach bottom rail to bottom bracket by fastening through marked measurement on top of rail into tab on bottom bracket using (1) self-tapping screw each side (provided).

NOTE: Pre-drilling is recommended (7/64" [0.28 cm] drill bit) for attachment of railing to bracket.

Installing Remaining Balusters into Bottom Rail



12. Place remaining balusters into holes in lower rail by snapping fully into place. In some cases, a **rubber mallet** may facilitate the fastening using **GENTLE** tapping.

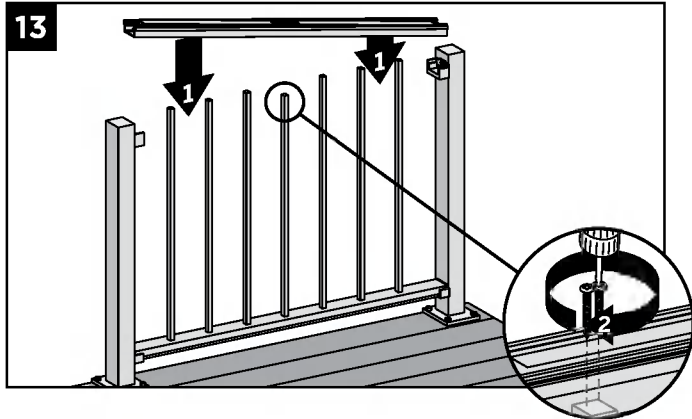
TREX REVEAL® RAILING

Installation Instructions

HOW TO INSTALL HORIZONTAL RAILING/CONTINUED

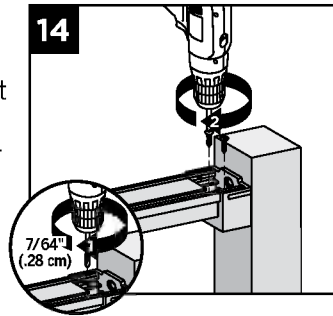
TREX REVEAL®

Attach Upper Railings



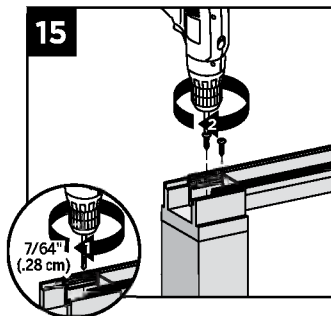
13. Working from one end of upper rail, snap balusters into upper rail working down length of rail. Fasten center baluster into center slot using (2) #8 x 1-1/4" (3.2 cm) screws (provided).

14. For post- to-post configuration, fasten upper rail to each bracket by installing screws diagonally through upper rail into bracket using (2) self-tapping screws each side (provided).

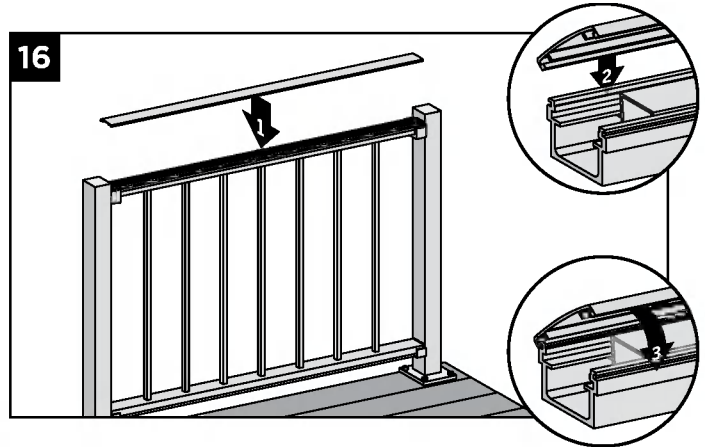


NOTE: Pre-drilling is recommended (7/64" [0.28 cm] drill bit) for attachment of railing to bracket.

15. For crossover post configuration, fasten upper rail to crossover post by installing screws diagonally through upper rail into post using (2) self-tapping screws each side (provided).

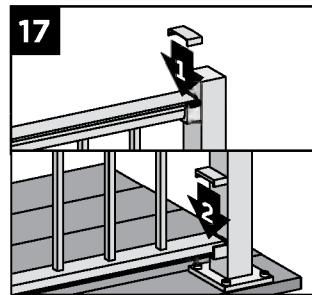


NOTE: Pre-drilling is recommended (7/64" [0.28 cm] drill bit) for attachment of railing to post.

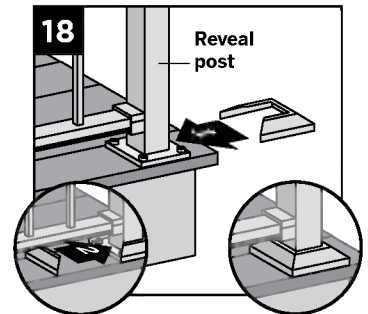


16. Attach "crowned" upper rail cover to upper rail by aligning cover on one side of rail. Then starting from one end of rail, snap cover onto opposing slot working down length of rail. A **rubber mallet** may facilitate the fastening using **GENTLE** tapping.

Attachment of Bracket Covers, Skirts, and Caps



17. Attach corresponding bracket covers over opening in upper and bottom rails.



18. Attach provided post skirt to bottom of posts when using Reveal posts.

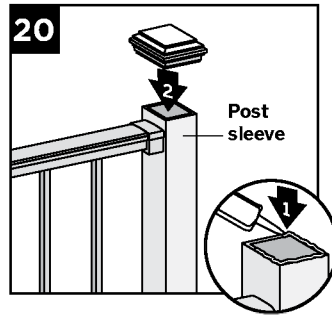
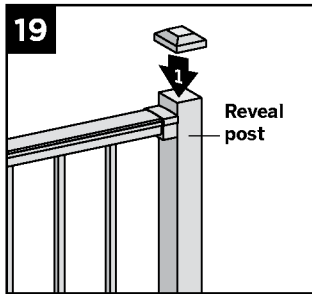
12

Have Questions?
1-800-BUY-TREX

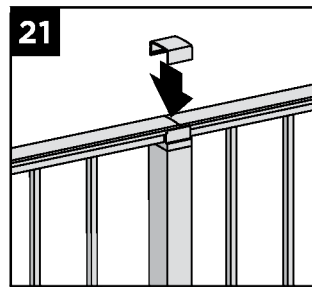
NOTE: Construction methods are always improving. Please ensure you have the most up-to-date installation instructions by visiting: trex.com

TR-REVEAL-0614

HOW TO INSTALL HORIZONTAL RAILING/CONTINUED TREX REVEAL®



19. Attach post caps to Reveal posts (use of **rubber mallet** may be required for secure attachment).
20. Attach post caps to post sleeves using external grade PVC construction adhesive.
21. For crossover post configuration, attach crossover post cap to crossover post.



TREX REVEAL® RAILING

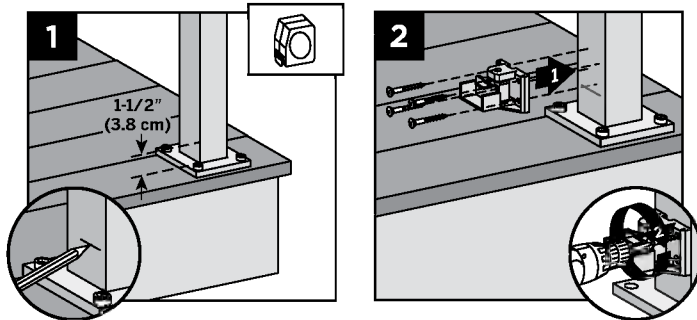
Installation Instructions

INSTALLATION OF HORIZONTAL SWIVEL BRACKETS

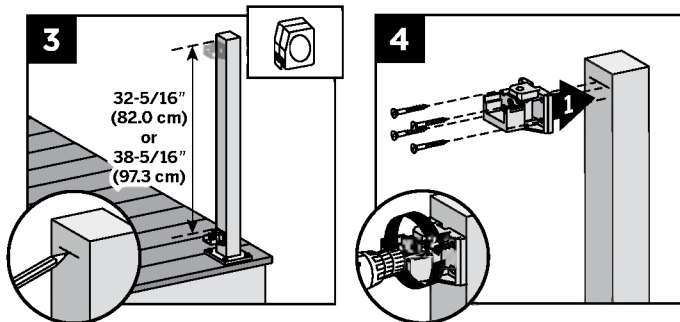
TREX REVEAL®

Attach Swivel Bracket Base using Reveal Posts

TIP: Use a clamp to help hold brackets in place while fastening with screws.



1. For both post to post and post to crossover post configurations, measure 1-1/2" (3.8 cm) up from top of post base plate (or 1-7/8" [4.8 cm] from decking surface). Mark with light line.
2. Center lower bracket on post **above** the marked line and attach using (4) self-tapping screws (*provided*).

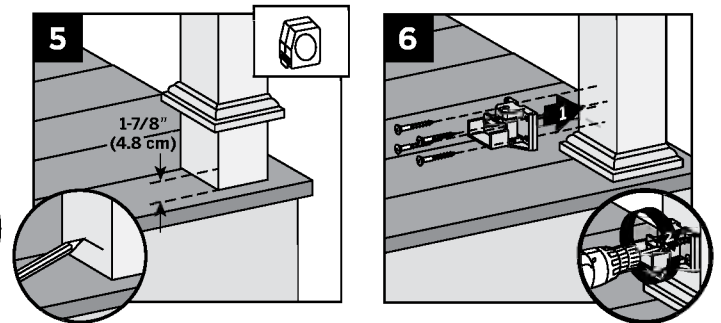


3. Measure up 32-5/16" (82.0 cm) for 36" (91.4 cm) tall railing or 38-5/16" (97.3 cm) for 42" (106.7 cm) tall railing from top of lower rail bracket. Mark with a light line.
4. Center upper bracket on post **below** marked line and attach using (4) self-tapping screws (*provided*).

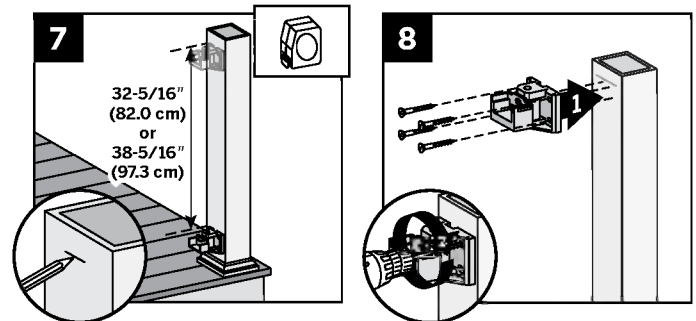
NOTE: Upper bracket is not required on crossover post configuration.

Attach Brackets Using Pressure Treated Posts and Post Sleeves

TIP: Use a clamp to help hold brackets in place while fastening with screws.



5. Measure 1-7/8" (4.8 cm) up from deck surface to bottom of bracket. Slide skirt up to allow for proper measurement, then push skirt back down onto surface of decking **BEFORE ATTACHING BRACKET**. Mark with light line.
6. Center lower bracket on post **above** the marked line and attach using (4) 2" (5.1 cm) wood screws (*provided*).



7. Measure up 32-5/16" (82.0 cm) for 36" (91.4 cm) tall railing or 38-5/16" (97.3 cm) for 42" (106.7 cm) tall railing from top of lower rail bracket. Mark with a light line.
8. Center upper bracket on post **below** marked line and attach using (4) 2" (5.1 cm) wood screws (*provided*).

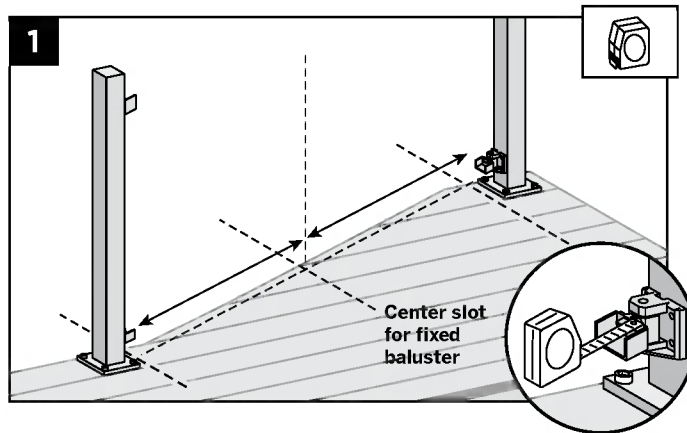
INSTALLATION OF HORIZONTAL SWIVEL RAILING

TREX REVEAL®

NOTES:

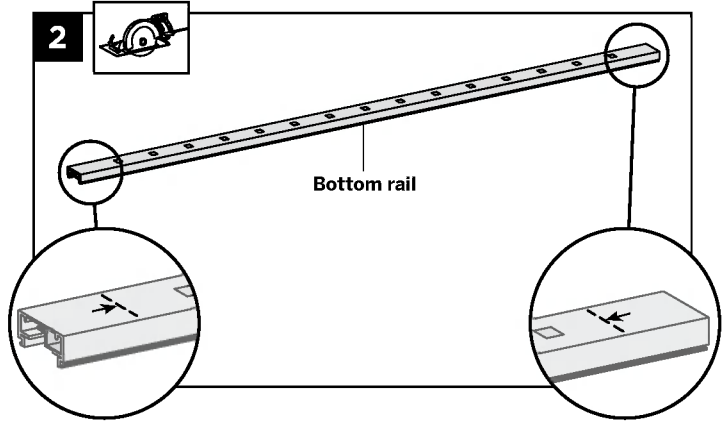
- » WHEN USING REVEAL HORIZONTAL SWIVEL BRACKETS BOTH BOTTOM AND TOP RAILS WILL NEED TO BE MEASURED AND CUT TO APPROPRIATE LENGTHS.
- » HORIZONTAL SWIVEL BRACKETS CAN BE USED UP TO A 50° ANGLE FOR REVEAL RAILINGS.
- » WHEN USING HORIZONTAL SWIVEL BRACKETS VERY IMPORTANT TO LAY OUT LOCATION AND ORIENTATION OF POSTS AND SWIVEL BRACKETS BEFORE INSTALLING SWIVEL BRACKETS.
- » WHEN RAILINGS ARE CUT TO ODD SPANS, ALL SPANS GREATER THAN 5' (1.52 M) (EXAMPLE: 8' (2.44 M) SPAN CUT INTO ONE 5' (1.52 M) SPAN AND ONE 3' (0.91 M) SPAN) WOULD REQUIRE FOOTBLOCK UNDER 5' (1.52 M) SPAN SINCE SMALLER FIXED BALUSTER IS NO LONGER CENTERED).

How to Measure and Cut Bottom and Top Railings

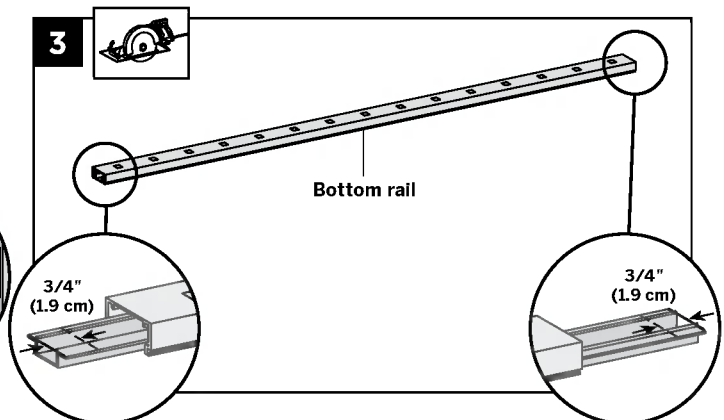


1. With brackets in correct swivel location, measure distance from inside of bracket to inside of bracket. ENSURE THAT BEFORE CUTTING, BALUSTERS HOLES ON BOTH BOTTOM AND TOP RAIL LINE UP, ALSO MAKING SURE CENTER BALUSTER SLOT IS AS CLOSE TO THE MIDDLE OF THE SPAN AS POSSIBLE. In some cases due to odd railing spans, the center baluster may need to be offset in one direction to ensure there is enough room at both post locations for balusters to be placed.

Cutting Bottom Rail and Bottom Rail Cover

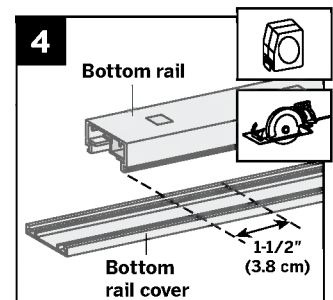


2. Cut bottom rail to the measurement between the bottom swivel brackets



3. Slide rail insert out and cut 3/4" (1.9 cm) FROM EACH SIDE of insert, then slide back inside rail and center.

4. Mark and cut bottom rail cover 1-1/2" (3.8 cm) shorter than bottom rail.



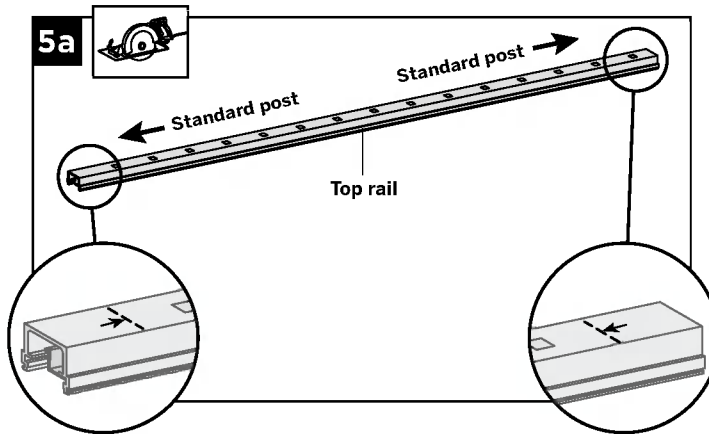
TREX REVEAL® RAILING

Installation Instructions

INSTALLATION OF HORIZONTAL SWIVEL RAILING/CONTINUED

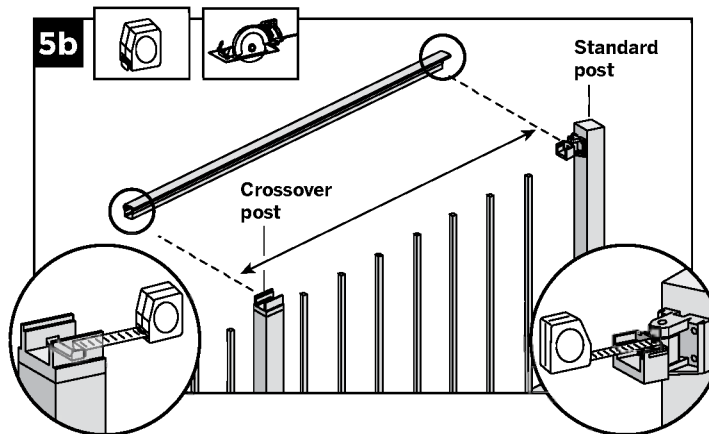
TREX REVEAL®

Cutting Top Rail - Option 1: For Post-to-Post Configuration



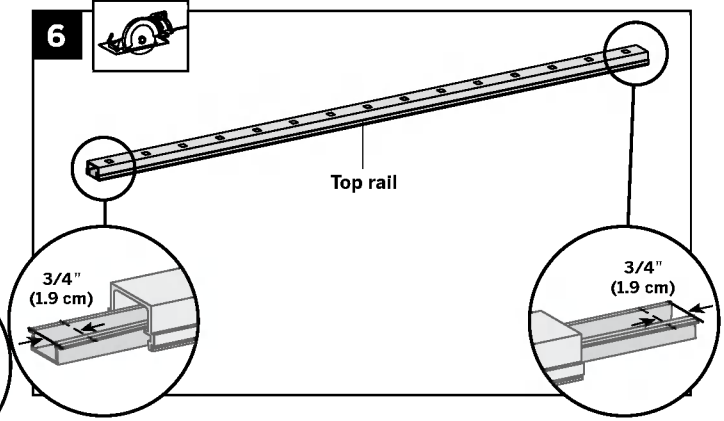
5a. Cut top rail to the measurement between the top swivel brackets. For standard post to standard post configurations this would be same dimensions as that of the bottom rail.

Cutting Top Rail - Option 2: For Post-to-Crossover Post Configuration



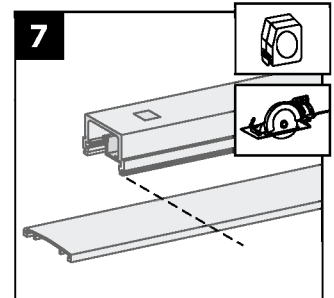
5b. When going from standard post to crossover post, measurement must be taken from inside of top horizontal swivel bracket to inside lip of crossover bracket (which is attached to top of crossover post).

Cutting Top Rail Insert and Cover



6. Slide rail insert out and cut 3/4" (1.9 cm) **FROM EACH SIDE** of insert, then slide back inside rail and center.

7. Mark and cut top rail cover same length as top rail for all top rail configurations.

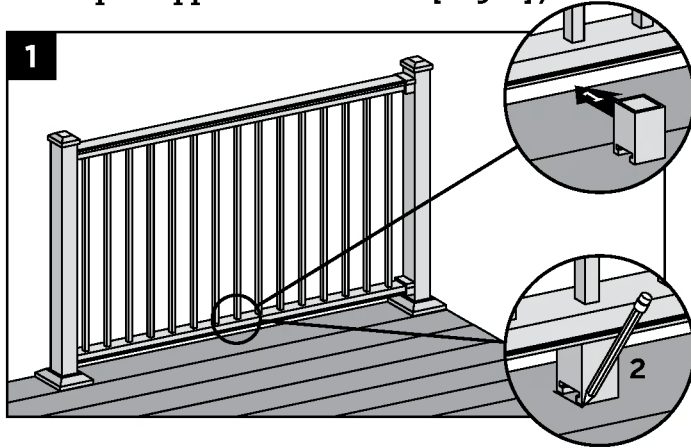


8. **Attaching Center Baluster to Bottom Rail**
See instructions on page 11.
9. **Attaching Bottom Rail Cover and Bottom Rail to Brackets**
See instructions on page 11.
10. **Installing Remaining Balusters into Bottom Rail**
See instructions on page 11.
11. **Attach Upper Railings**
See instructions on page 12.
12. **Attachment of Bracket Covers, Skirts, and Caps**
See instructions on page 12.
13. **Attachment of Foot Block (Required ONLY for All Clear Span Applications Over 6' [1.83 m])**
See instructions on page 17.

HOW TO INSTALL FOOTBLOCKS-HORIZONTAL RAILING

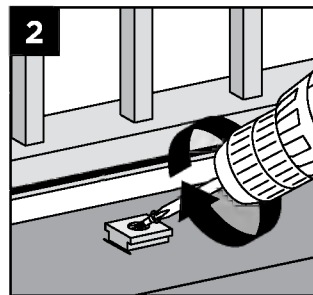
TREX REVEAL®

Attachment of Foot Block (Required ONLY for All Clear Span Applications Over 6' [1.83 m])



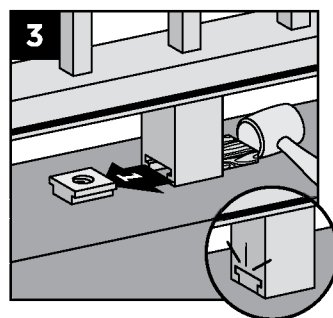
1. To ensure correct location, place foot block under center of bottom rail. Mark to provide placement location of base.

2. Place base (smaller side facing down) on decking surface. Attach base of foot block using (1) screw at an angle through base and into decking.



NOTE: Pre-drilling is recommended (1/8" [0.32 cm] drill bit) for attachment of base.

3. After attached, use a **rubber mallet along with scrap piece of wood** to tap footblock until it locks into place.



TREX REVEAL® RAILING

Installation Instructions

HOW TO INSTALL REVEAL STAIR POSTS AND STAIR RAILING

TREX REVEAL®

IMPORTANT NOTES:

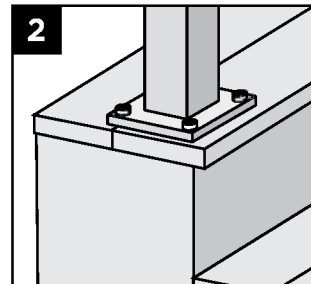
- » **ALL REVEAL STAIR INSTALLATIONS REQUIRE THE USE OF 53" (134.6 CM) STAIR POST, MEASURED AND CUT TO APPROPRIATE LENGTH IF REQUIRED.**
- » **IF CROSSOVER STAIR POST IS REQUIRED, USE STAIR POST (AGAIN CUT TO APPROPRIATE LENGTH IF REQUIRED) AND USE SWIVEL CROSSOVER BRACKET.**
- » **REVEAL STAIR FIXED BRACKETS ARE DESIGNED TO WORK ONLY WITH STAIR SLOPES OF 32°-37°.**
- » **FOR SMALLER (LESS THAN 32°) OR LARGER ANGLES (GREATER THAN 37°) USE THE REVEAL STAIR SWIVEL BRACKETS.**
- » **REVEAL COMPOUND SWIVEL STAIR BRACKETS ARE DESIGNED FOR FLARED STAIR DESIGNS.**
- » **IF INSTALLING STAIR RAILINGS AT EXACT SPAN LENGTHS OF 6' (1.8 M) OR 8' (2.4 M) AND USING POST TO POST CONFIGURATION, THE BOTTOM STAIR RAIL WILL NOT NEED TO BE CUT*, BUT THE TOP STAIR RAIL WILL NEED TO BE MEASURED (MAKING SURE BALUSTERS LINE UP VERTICALLY) AND CUT.**
- » **IF INSTALLING STAIR RAILINGS AT EXACT SPAN LENGTHS OF 6' (1.8 M) OR 8' (2.4 M), AND USING CROSSOVER POST CONFIGURATION (SPANS FROM ONE CROSSOVER POST TO ANOTHER CROSSOVER POST), BOTH THE BOTTOM AND TOP STAIR RAILS WILL NOT NEED TO BE CUT* IF THE ANGLE IS APPROXIMATELY 34°.**
- » **AT ALL FINAL END POST CONFIGURATIONS, TOP STAIR RAIL WILL NEED TO BE MEASURED (MAKING SURE BALUSTERS LINE UP VERTICALLY) AND CUT.**
- » **FOR ODD SPAN LENGTHS, BOTH BOTTOM AND TOP STAIR RAILS WILL NEED TO BE MEASURED (MAKING SURE BALUSTERS LINE UP VERTICALLY) AND CUT. ALSO ENSURE THAT BALUSTERS ARE SPACED WITH EQUAL DISTANCE ON EACH SIDE OF THE POST.**

* Rails that do not require cutting must be oriented in the correct direction to ensure balusters are spaced properly when installed in brackets. On both bottom and top stair railings, baluster hole closest to the end of the each stair rail is to be installed at the top of the stair section. Ensure that both bottom and top rails are correct and balusters line up vertically before installing.

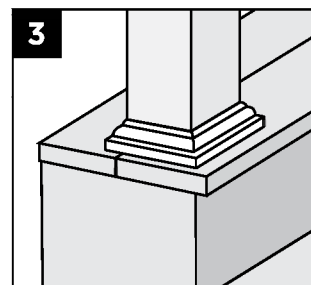
Installing Standard Reveal Stair Posts, Reveal Stair Crossover Posts, or Pressure Treated Post, Post Sleeves and Skirts

1. Make sure 53" (135.6 cm) posts are used for all stair posts.

2. If Reveal stair posts are used, install at nose of stair tread directly under required blocking. See *Reveal horizontal post instructions on pages 5-7 for details.*



3. If pressure treated post/post sleeves are used, posts are to be installed to the inside of the last stair stringer (rails must be over decking surface). See *pressure-treated post instructions on pages 5-7 for details.*

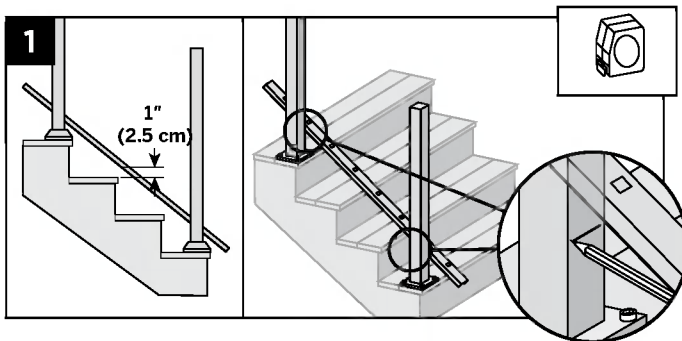


ATTACHING STAIR BRACKETS (FIXED STAIR, STAIR SWIVEL, AND COMPOUND SWIVEL) TO REVEAL POSTS AND PRESSURE TREATED POST AND POST SLEEVES

TREX REVEAL®

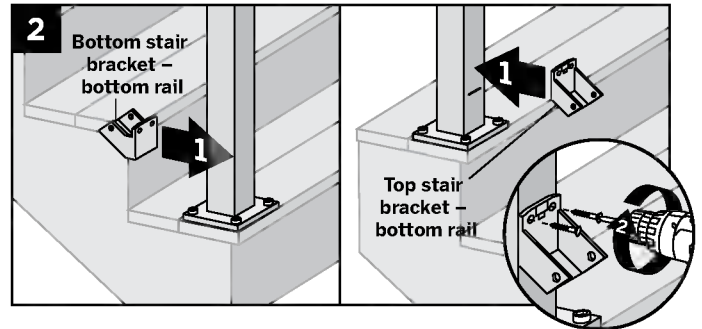
NOTES:

- » All Reveal fixed stair brackets work **ONLY** with stair slopes of 32°-37°.
- » Illustrations shown are representations when using Reveal post, but same rules apply if using pressure-treated posts and post sleeves.
- » Use a clamp to help hold stair brackets in place while fastening with screws.
- » **IMPORTANT NOTE: BEFORE ATTACHING ANY UPPER BRACKETS MAKE SURE PROPER RAILING HEIGHTS ARE ACHIEVED. RAILING HEIGHTS AND UPPER BRACKET HEIGHTS MAY NEED TO BE ADJUSTED, HOWEVER, DO NOT REDUCE HEIGHTS BASED ON YOUR RAILING CODE REQUIREMENTS. MEASURE CAREFULLY as dimension heights listed below may need to be adjusted!**



1. Lay bottom stair rail on steps beside posts. Position bottom rail at least 1" (2.5 cm) above nose of stair tread.
 - » **TIP:** Use a 1" (2.5 cm) deck board as a spacer board and clamp rails to post) and mark where lower brackets are to be attached to both posts. Mark at underside of railing location.

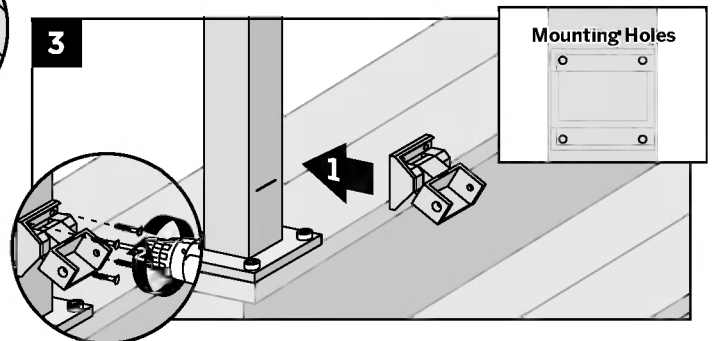
Installing Lower Fixed Stair Brackets



2. Center lower stair bracket on post above the marked line and attach using (2) self-tapping screws (provided). In some cases it may be difficult to attach the stair bracket on the lower stair post. Recommend using a 90° cordless drill in this area if possible to attach screws.

Installing Lower Stair Swivel and Compound Swivel Brackets

NOTE: Picture reflects lower stair swivel bracket.



3. Center lower stair swivel bracket on post above the marked line and attach using (4) self-tapping screws (provided). In some cases it may be difficult to attach the stair bracket on the lower stair post. Recommend using a 90° cordless drill in this area if possible to attach screws.

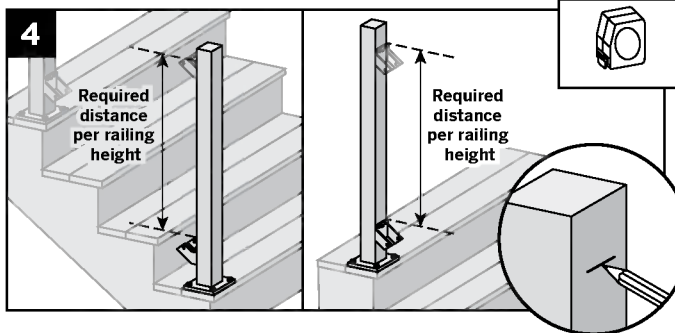
TREX REVEAL® RAILING

Installation Instructions

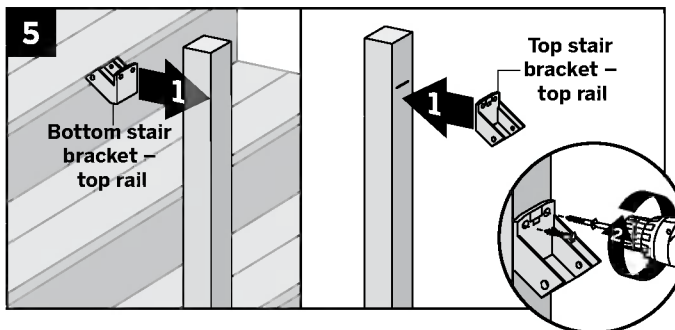
ATTACHING STAIR BRACKETS (FIXED STAIR, STAIR SWIVEL, AND COMPOUND SWIVEL) TO REVEAL POSTS AND PRESSURE TREATED POST AND POST SLEEVES/CONTINUED

TREX REVEAL®

Installing Upper Fixed Stair Brackets



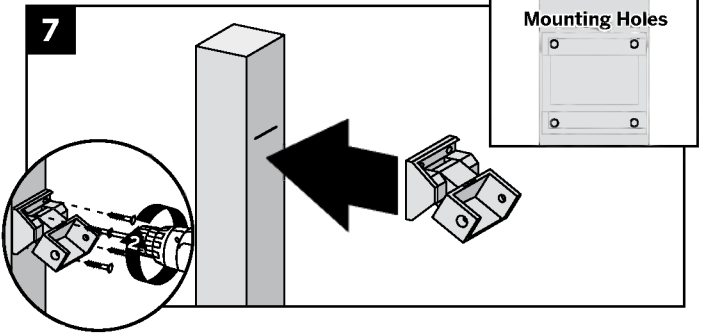
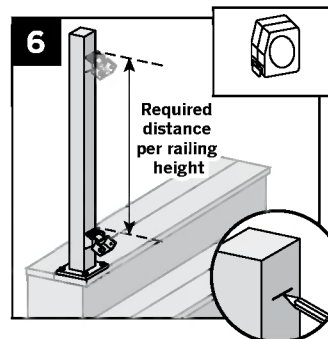
4. **SEE IMPORTANT NOTE ABOVE IN REGARDS TO MEASUREMENTS BEFORE ATTACHING BRACKET.** Measure up required dimension for 36" (91.4 cm) tall railing or 42" (106.7 cm) tall railing, from top of lower stair rail fixed bracket. Mark with light line.



5. Center upper stair fixed bracket on post **below** the marked line and attach using (2) self-tapping screws (provided).

Installing Upper Stair Swivel And Compound Swivel Brackets

6. **SEE IMPORTANT NOTE ABOVE IN REGARDS TO MEASUREMENTS BEFORE ATTACHING BRACKET.** Measure up required dimension for 36" (91.4 cm) tall railing or for 42" (106.7 cm) tall railing, from top of lower stair rail swivel bracket. Mark with light line.

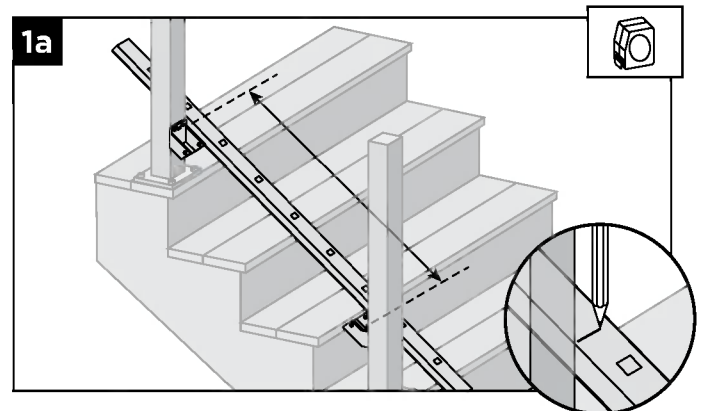


7. Center upper stair swivel bracket on post **below** the marked line and attach using (4) self-tapping screws (provided).

NOTE: Upper bracket is not required on crossover post configurations.

How to Measure Bottom Stair Railings (WHEN REQUIRED)

When Using Fixed Stair Brackets

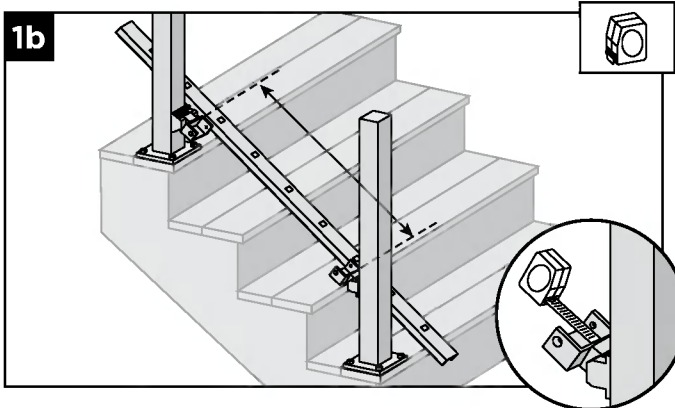


- 1a. Position bottom stair rail along the nose of the stair treads. Ensure that before cutting, balusters holes are centered in between the posts and also allow for clearance for attachment to brackets. Mark bottom stair rail at each intersection.

ATTACHING STAIR BRACKETS (FIXED STAIR, STAIR SWIVEL, AND COMPOUND SWIVEL) TO REVEAL POSTS AND PRESSURE TREATED POST AND POST SLEEVES/CONTINUED

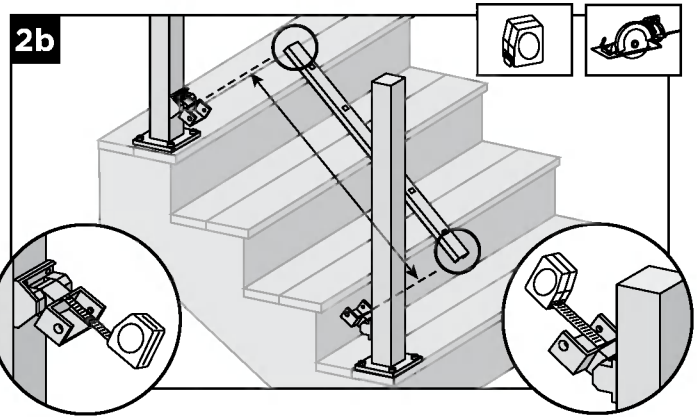
TREX REVEAL®

When using Stair Swivel and Compound Swivel Brackets



1b. With brackets in correct swivel locations, measure distance from inside of swivel bracket to inside of swivel bracket. Ensure that before cutting, balusters holes are parallel and centered in between the posts and also allow for clearance for attachment to brackets. Mark bottom stair rail at each intersection.

When using Stair Swivel or Compound Swivel Brackets:

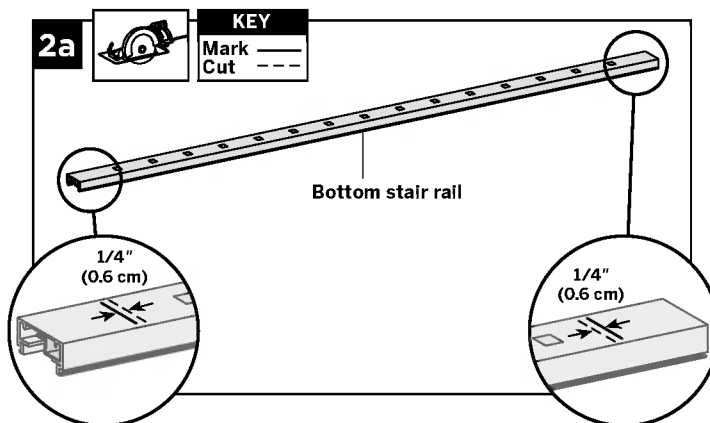


2b. Cut each end of the bottom rail, rail insert, and bottom rail cover at the mark on each end to allow for fit into bottom stair rail brackets.

NOTE: Railing does not need to be cut at angle, brackets are designed to allow for railing to be installed with standard straight cut.

Cutting Bottom Stair Rail, Bottom Stair Rail Cover, and Attachment of Bottom Stair Rail Cover

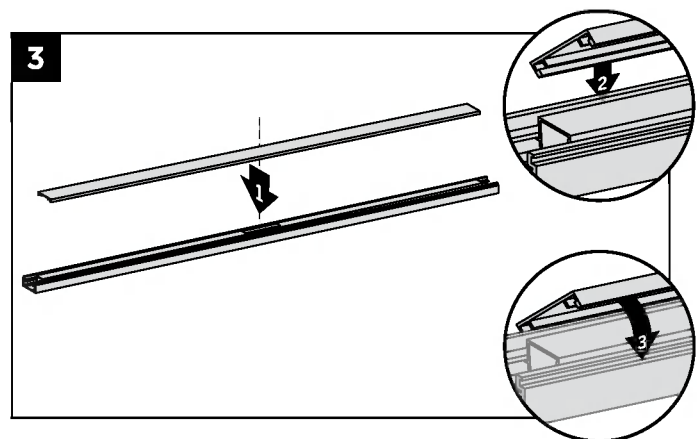
When using Fixed Stair Brackets:



2a. Cut each end of the bottom stair rail, rail insert, and bottom rail cover 1/4" (0.6 cm) shorter than the mark on each end to allow for fit into bottom stair rail brackets.

NOTE: Railing does not need to be cut at angle, brackets are designed to allow for railing to be installed with standard straight cut.

Attachment of Bottom Stair Rail Cover and Bottom Stair Rail to Brackets



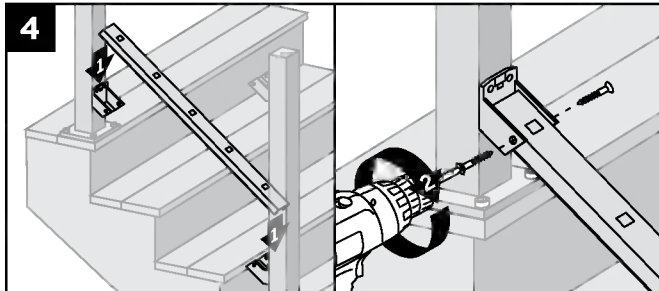
3. Attach "flat" bottom stair rail cover to bottom stair rail. Align cover on one side of the bottom rail in slot on side of rail. Then starting from one end of rail snap cover onto opposing slot working down the length of the rail. In some cases, a **rubber mallet** may facilitate the fastening using **GENTLE** tapping.

TREX REVEAL® RAILING

Installation Instructions

ATTACHING STAIR BRACKETS (FIXED STAIR, STAIR SWIVEL, AND COMPOUND SWIVEL) TO REVEAL POSTS AND PRESSURE TREATED POST AND POST SLEEVES/CONTINUED

TREX REVEAL®



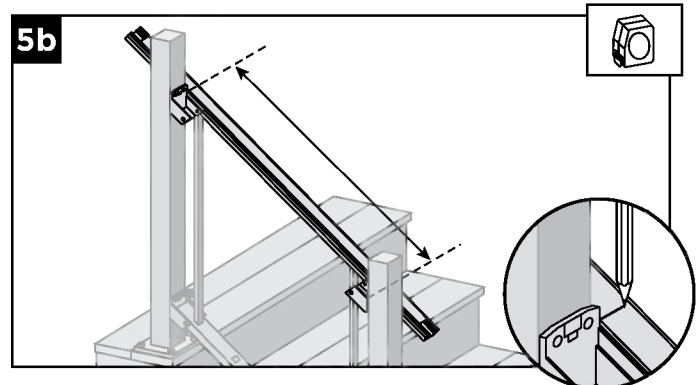
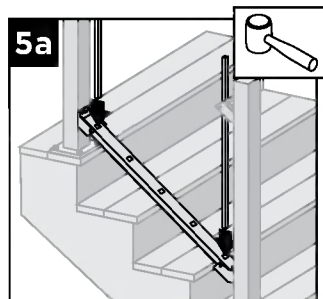
4. Set bottom stair rail into bottom stair rail brackets. Attach bottom stair rail to bottom stair bracket using (2) self-tapping screws (provided) on each side of bracket.

How to Measure Top Stair Railings (WHEN REQUIRED)

IMPORTANT NOTE: BEFORE CUTTING ANY TOP RAILS MAKE SURE THAT WHEN MEASURING ALL BALUSTER HOLES LINE UP PARALLEL!

When Using Fixed Stair Brackets

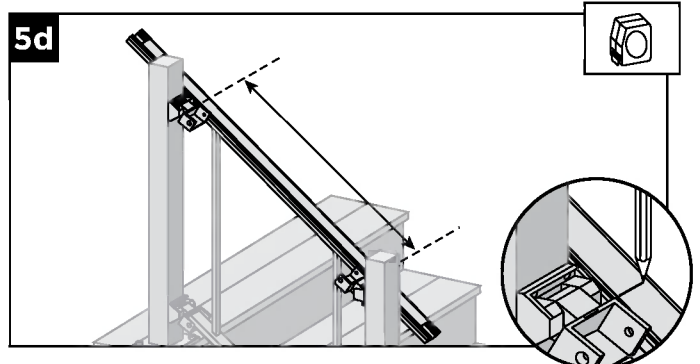
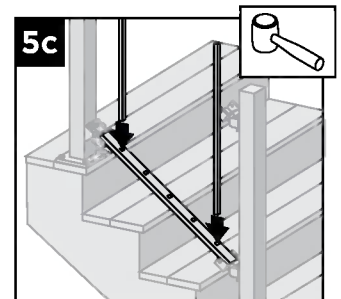
- 5a. Place two balusters into lower rail at each end closest to post.



- 5b. Position top rail onto balusters (position to side of post) and ENSURE that balusters are parallel with post. Mark top stair rail at each intersection.

When using Stair Swivel and Compound Swivel Brackets

- 5c. Place two balusters into lower rail at each end closest to post.



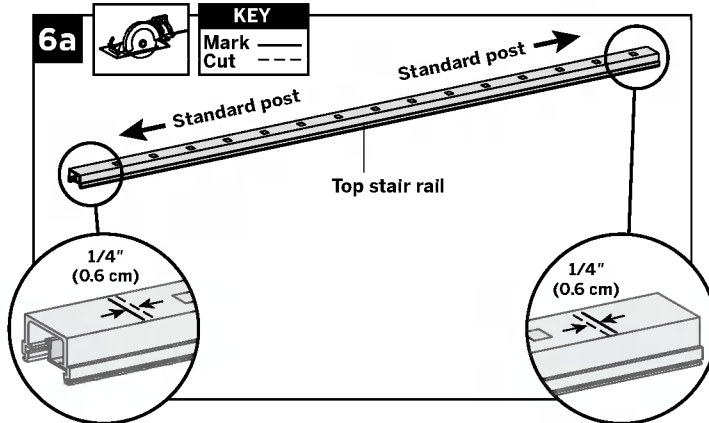
- 5d. Position top rail onto balusters (position to side of post) and ENSURE that balusters are parallel with post. With brackets in correct swivel location, measure distance from inside of swivel bracket to inside of swivel bracket. Mark top stair rail at each intersection.

ATTACHING STAIR BRACKETS (FIXED STAIR, STAIR SWIVEL, AND COMPOUND SWIVEL) TO REVEAL POSTS AND PRESSURE TREATED POST AND POST SLEEVES/CONTINUED

TREX REVEAL®

Cutting Top Stair Rail and Rail Insert – Option 1: For Stair Post to Stair Post Configuration

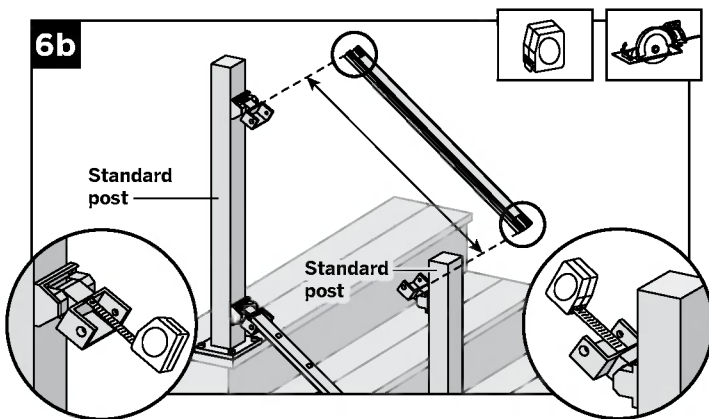
When Using Fixed Stair Brackets:



6a. Cut each end of top stair rail along with rail insert 1/4" (0.6 cm) shorter than mark to allow for fit into top stair rail bracket.

NOTE: Railing does not need to be cut at angle, brackets are designed to allow for railing to be installed with standard straight cut.

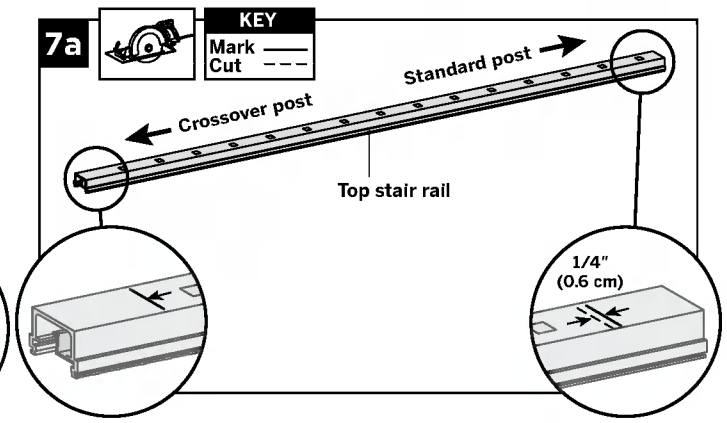
When using Upper Stair Swivel and Compound Swivel Brackets:



6b. Cut top rail along with rail insert to the measurement between the top stair swivel brackets. For standard post to standard post configurations this would be same dimensions as that of the bottom stair rail.

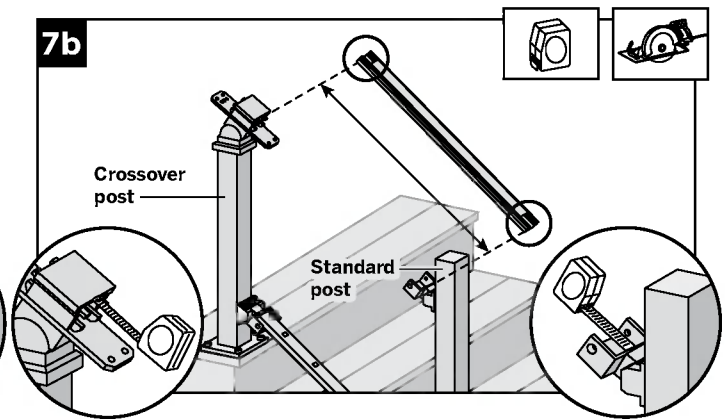
Cutting Top Stair Rail and Insert – Option 2: For Stair Post to Stair Crossover Post Configuration

When Using Fixed Stair Brackets:



7a. Top stair rail along with rail insert must be cut differently on each side of the rail. Railing side that attaches to standard post should be cut 1/4" (0.6 cm) shorter than the mark to allow for fit into top rail bracket. Railing side that attaches to the crossover post should be cut directly on the mark to allow for fit into the crossover post bracket.

When using Upper Stair Swivel and Compound Swivel Brackets:



7b. When going from standard stair post to stair crossover post, measurement must be taken from inside of top horizontal stair swivel bracket to inside lip of stair crossover bracket (crossover post will need to be modified to have swivel crossover bracket installed).

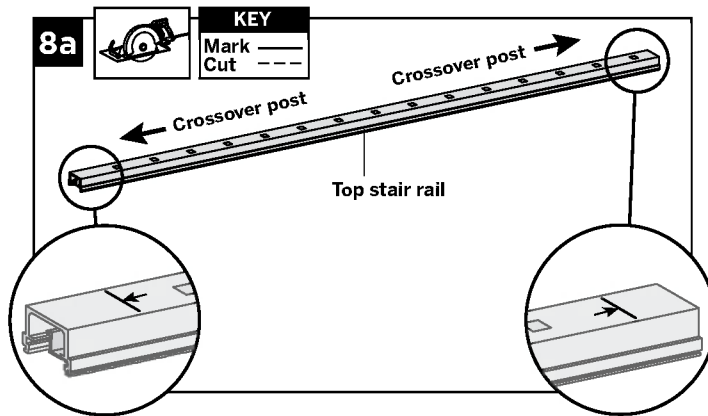
TREX REVEAL® RAILING

Installation Instructions

ATTACHING STAIR BRACKETS (FIXED STAIR, STAIR SWIVEL, AND COMPOUND SWIVEL) TO REVEAL POSTS AND PRESSURE TREATED POST AND POST SLEEVES/CONTINUED

TREX REVEAL®

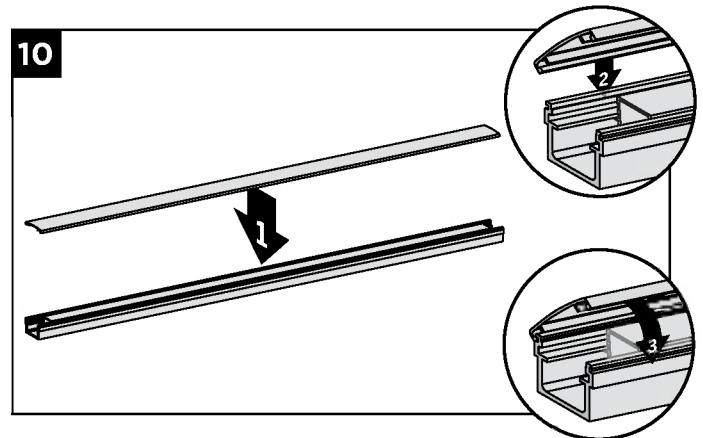
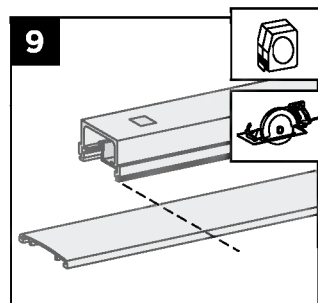
Cutting Top Stair Rail and Rail Insert – Option 3: For Stair Crossover Post to Stair Crossover Post Configuration



8a. Cut each end of the top stair rail along with rail insert on the mark line to allow for fit into the crossover post bracket on each side.

Cutting Top Stair Rail Cover, and Attachment of Top Stair Rail Cover

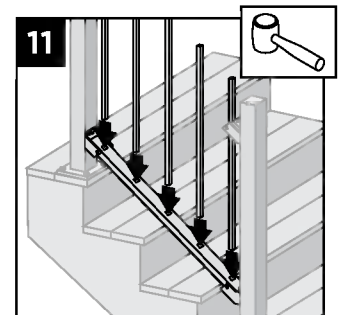
9. Mark and cut top rail cover same length as top rail for all top rail configurations.



10. Attach “crowned” upper stair rail cover to upper stair rail by aligning cover on one side of rail. Then starting from one end of stair rail, snap cover onto opposing slot working down length of stair rail. A **rubber mallet** may facilitate the fastening using **GENTLE** tapping.

Installing Balusters into Bottom Stair Rail

11. Place balusters into holes in lower stair rail by snapping fully into place. In some cases, a **rubber mallet** may facilitate the fastening using **GENTLE** tapping.

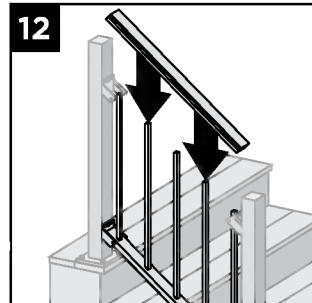


ATTACHING STAIR BRACKETS (FIXED STAIR, STAIR SWIVEL, AND COMPOUND SWIVEL) TO REVEAL POSTS AND PRESSURE TREATED POST AND POST SLEEVES/CONTINUED

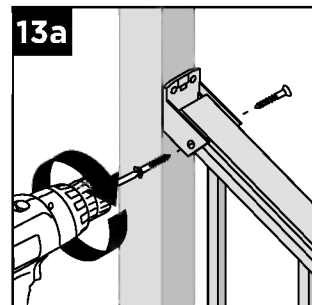
TREX REVEAL®

Attaching Upper Stair Rails

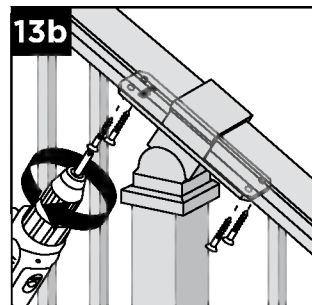
12. Working from one end of upper stair rail, snap balusters into upper stair rail working down length of rail.



13a. For stair post to post configuration, attach top stair rail to top stair bracket (all types) using (2) self-tapping screws (provided) on each side of stair bracket.

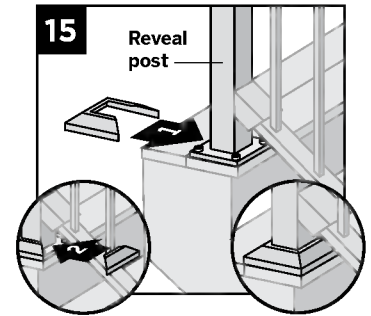
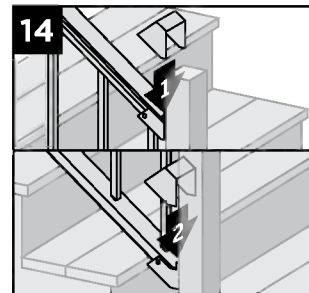


13b. For stair crossover post configuration, fasten upper stair rail to swivel crossover post bracket by installing screws diagonally through crossover stair bracket into upper rail using (2) self-tapping screws (provided) on each side.



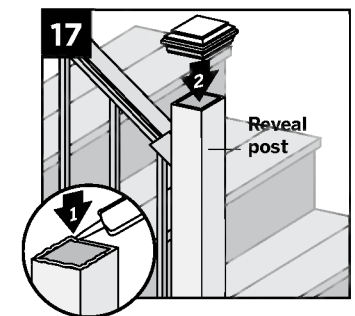
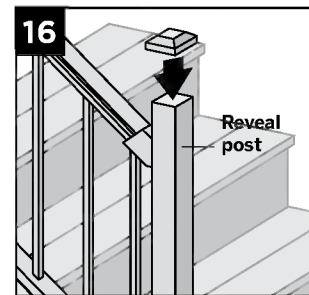
NOTE: Pre-drilling is recommended (7/64" [0.28 cm] drill bit) for attachment of stair railing to stair bracket.

Attachment of Stair Bracket Covers, Skirts, and Caps



14. Attach corresponding bracket covers over opening in upper and bottom rails.

15. Attach provided post skirt to bottom of posts when using Reveal posts.



16. Attach post caps to Reveal posts (use of **rubber mallet** may be required for secure attachment).

17. Attach post caps to post sleeves using external grade PVC construction adhesive.

